



PRISM MPI
Media Analysis Platform
Dual Rack Cabinet Version 2 Installation Instructions

www.telestream.net



071-3725-00

Copyright © 2020 Telestream, LLC and its Affiliates. All rights reserved. Telestream products are covered by U.S. and foreign patents, issued and pending. Information in this publication supersedes that in all previously published material. Specification and price change privileges reserved. TELESTREAM is a registered trademark of Telestream, LLC. All other trade names referenced are the service marks, trademarks, or registered trademarks of their respective companies.

Telestream products are covered by U.S. and foreign patents, issued and pending. Information in this publication supersedes that in all previously published material. Specifications and price change privileges reserved.

TELESTREAM is a registered trademark of Telestream, LLC.

Contact Telestream

Telestream, LLC
848 Gold Flat Road
Nevada City, CA 95959
USA

For product information, sales, service, and technical support:
Worldwide, visit www.telestream.net/telestream-support/video/support.htm to find contacts in your area.

Important compliance and safety information

United States of America Compliance Notices

Class A Interference Statement

This equipment has been tested and found to comply with the limits for a Class A digital device, pursuant to Part 15, Subpart B of the FCC Rules. These limits are designed to provide reasonable protection against harmful interference in a commercial installation. This equipment generates, uses, and can radiate radio frequency energy and, if not installed and used in accordance with the instructions, may cause harmful interference to radio communications. However, there is no guarantee that interference will not occur in a particular installation. Operation of this equipment in a residential area is likely to cause harmful interference in which case the user will be required to correct the interference at his own expense.

FCC Caution

This device complies with Part 15 of the FCC Rules. Operation is subject to the following two conditions:

- (1) This device may not cause harmful interference, and
- (2) This device must accept any interference received, including interference that may cause undesired operation.

Safety

UL 61010-1: 2012 R4.16: Safety Requirements for Electrical Equipment for Measurement, Control, and Laboratory Use - Part 1: General Requirements.

Environmental

Perchlorate Materials: this product contains one or more type CR lithium batteries. According to the state of California, CR lithium batteries are classified as perchlorate materials and require special handling.

See www.dtsc.ca.gov/hazardouswaste/perchlorate for additional information.

Canada Compliance Notices

Department of Communications Radio Interference Regulations

This digital apparatus does not exceed the Class A limits for radio-noise emissions from a digital apparatus as set out in the Radio Interference Regulations of the Canadian Department of Communications. This Class A digital apparatus complies with Canadian ICES-003.

Règlement sur le brouillage radioélectrique du Quadstere des

Communications

Cet appareil numérique respecte les limites de bruits radioélectriques visant les appareils numériques de classe A prescrites dans le Règlement sur le brouillage radioélectrique du Quadstere des Communications du Canada. Cet appareil numérique de la Classe A est conforme à la norme NMB-003 du Canada.

Safety

CAN/CSA-22.2 NO. 61010-1-12 + Gil + G12:: Safety Requirements for Electrical Equipment for Measurement, Control, and Laboratory Use - Part 1: General Requirements.

Sécurité

CAN / CSA-22.2 NO. 61010-1-12 + Gil + G12 :: Exigences de sécurité pour l'électricité
Matériel de mesure, de contrôle et d'utilisation en laboratoire - Partie 1: Généralités
Exigences.

European Union and European Free Trade Association (EFTA) Compliance Notices

This equipment may be operated in the countries that comprise the member countries of the European Union and the European Free Trade Association. These countries, listed in the following paragraph, are referred to as The European Community throughout this document:

AUSTRIA, BELGIUM, BULGARIA, CYPRUS, CZECH REPUBLIC, DENMARK, ESTONIA, FINLAND, FRANCE, GERMANY, GREECE, HUNGARY, IRELAND, ITALY, LATVIA, LITHUANIA, LUXEMBOURG, MALTA, NETHERLANDS, POLAND, PORTUGAL, ROMANIA, SLOVAKIA, SLOVENIA, SPAIN, SWEDEN, UNITED KINGDOM, ICELAND, LICHTENSTEIN, NORWAY, SWITZERLAND

Declaration of Conformity

Marking by the “CE” symbol indicates compliance with the Essential Requirements of the EMC Directive of the European Union 2014/30/EU

This equipment meets the following conformance standards:

Safety

EN 61010-1: Safety Requirements for Electrical Equipment for Measurement, Control, and Laboratory Use - Part 1: General Requirements
Low Voltage Directive 2014/35/EU

Emissions

EN 55032: 2012 + AC: 2013, CISPR 32: 2015, EN 61000-3-2: 2014,

EN 61000-3-3: 2013

Immunity

EN 55103-2: 2009, EN 61000-4-2: 2009,
EN 61000-4-3: 2006 + A1: 2008 + A2: 2010, EN 61000-4-4: 2004 + A1: 2010,
EN 61000-4-5: 2006, EN 61000-4-6: 2009, EN 61000-4-11: 2004
Environments: E2



Warning! This is a Class A product. In a domestic environment, this product may cause radio interference, in which case, the user may be required to take appropriate measures.



Achtung! Dieses ist ein Gerat der Funkstorgrenzwertklasse A. In Wohnbereichen können bei Betrieb dieses Gerates Rundfunkstörungen auftreten, in welchen Fallen der Benutzer für entsprechende Gegenmaßnahmen verantwortlich ist.



Attention! Ceci est un produit de Classe A. Dans un environnement domestique, ce produit risque de créer des interférences radioélectriques, il appartiendra alors à l'utilisateur de prendre les mesures spécifiques appropriées.

Notes:

1. For Compliance with the EMC standards listed here, high quality shielded interface cables should be used.
2. Emissions which exceed the levels required by this standard may occur when this equipment is connected to a test object.

Environmental Compliance

This section provides information about the environmental impact of the product.

Product end-of-life handling

Observe the following guidelines when recycling an instrument or component:

Equipment recycling

Production of this equipment required the extraction and use of natural resources. The equipment may contain substances that could be harmful to the environment or human health if improperly handled at the product's end of life. To avoid release of such substances into the environment and to reduce the use of natural resources, we encourage you to recycle this product in an appropriate system that will ensure that most of the materials are reused or recycled appropriately.



This symbol on the product or its packaging indicates that this product complies with the applicable European Union requirements according to Directives 2012/19/EU and 2006/66/EC on waste electrical and electronic - equipment (WEEE) and batteries.

It also indicates that this product must not be disposed of with your other household waste. Instead, it is your responsibility to dispose of your waste equipment by handing it over to a designated collection point for the recycling of waste electrical and electronic equipment. The separate collection and recycling of your waste equipment at the time of disposal will help conserve natural resources and ensure that it is recycled in a manner that protects human health and the

environment. For more information about where you can drop off your waste for recycling, please contact your local authority, or where you purchased your product.

Battery Recycling

This product may contain a rechargeable battery, which must be recycled or disposed of properly. Please properly dispose of or recycle the battery according to local government regulations.

Transporting Batteries or products with Batteries in them

The capacity of the lithium ion secondary battery shipped with this product is under 100 Wh. The lithium content of the installed primary battery is under 1 g. Each battery meets the applicable requirements of UN Manual of Tests and Criteria Part III Section 38.3. Battery quantity is under the limit for shipment according to Section II of the relevant Packing Instructions from the IATA Dangerous Goods Regulations. Consult your air carrier for applicability and determination of any special lithium battery transportation requirements.

Restriction of Hazardous Substances

This product is classified as an industrial monitoring and control instrument, and is not required to comply with the substance restrictions of the RoHS 3 Directives 2011 /65/EU and EU 2015/863 until July 22, 2021. This product does, however, comply with the RoHS 2 Directive 2011/65/EU.

Korea Compliance Statement

<p>A급 기기 (업무용 방송통신기자재)</p>	<p>이 기기는 업무용(A급) 전자파적합기기로서 판매자 또는 사용자는 이 점을 주의하시기 바라며, 가정외의 지역에서 사용하는 것을 목적으로 합니다.</p>
<p>Class A (Broadcasting Communication Equipment for Office Use)</p>	<p>As an electromagnetic wave equipment for office use (Class A), this equipment is intended to use in other than home area. Sellers or users need to take note of this.</p>

Taiwan Compliance Statement

<p>警告使用者： 這是甲類的資訊產品，在居住的環境中使用時，可能會造成射頻干擾，在這種情況下，使用者會被要求採取某些適當的對策。</p>
--

This is a Class A product based on the standard of the Bureau of Standards, Metrology and Inspection (BSMI) CNS 13438, Class A. In a domestic environment this product may cause radio interference in which case the user may be required to take adequate measures.

Japan Compliance Statement

この装置は、クラスA情報技術装置です。この装置を家庭環境で使用すると電波妨害を引き起こすことがあります。この場合には使用者が適切な対策を講ずるよう要求されることがあります。 VCCI-A

This is a Class A product based on the standard of the VCCI Council (VCCI 32: 2016). If this equipment is used in a domestic environment, radio interference may occur, in which case, the user may be required to take corrective actions.

Important Safety Information

This manual contains information and warnings that must be followed by the user for safe operation and to keep the product in a safe condition.

To safely perform service on this product, see the Service safety summary that follows the General safety summary.

General Safety Summary

Use the product only as specified. Review the following safety precautions to avoid injury and prevent damage to this product or any products connected to it.

Carefully read all instructions. Retain these instructions for future reference.

Comply with local and national safety codes.

For correct and safe operation of the product, it is essential that you follow generally accepted safety procedures in addition to the safety precautions specified in this manual.

The product is designed to be used by trained personnel only.

Only qualified personnel who are aware of the hazards involved should remove the cover for repair, maintenance, or adjustment.

Before use, always check the product with a known source to be sure it is operating correctly.

While using this product, you may need to access other parts of a larger system. Read the safety sections of the other component manuals for warnings and cautions related to operating the system.

When incorporating this equipment into a system, the safety of that system is the responsibility of the assembler of the system.

To Avoid Fire or Personal Injury

Use proper power cord: Use only the power cord specified for this product and certified for the country of use. Do not use the provided power cord for other products.

Ground the product: This product is grounded through the grounding conductor of

the power cord. To avoid electric shock, the grounding conductor must be connected to earth ground. Before making connections to the input or output terminals of the product, ensure that the product is properly grounded. Do not disable the power cord grounding connection.

Power disconnect: The power cord disconnects the product from the power source. See instructions for the location. Do not position the equipment so that it is difficult to operate the power cord; it must remain accessible to the user at all times to allow for quick disconnection if needed.

Observe all terminal ratings: To avoid fire or shock hazard, observe all rating and markings on the product. Consult the product manual for further ratings information before making connections to the product. Do not apply a potential to any terminal, including the common terminal, that exceeds the maximum rating of that terminal.

Do not operate without covers: Do not operate this product with covers or panels removed, or with the case open. Hazardous voltage exposure is possible.

Avoid exposed circuitry: Do not touch exposed connections and components when power is present.

Do not operate with suspected failures: If you suspect that there is damage to this product, have it inspected by qualified service personnel.

Disable the product if it is damaged. Do not use the product if it is damaged or operates incorrectly. If in doubt about safety of the product, turn it off and disconnect the power cord. Clearly mark the product to prevent its further operation.

Before use, inspect voltage probes, test leads, and accessories for mechanical damage and replace when damaged. Do not use probes or test leads if they are damaged, if there is exposed metal, or if a wear indicator shows.

Examine the exterior of the product before you use it. Look for cracks or missing pieces.

Use only specified replacement parts.

Do not operate in wet/damp conditions: Be aware that condensation may occur if a unit is moved from a cold to a warm environment.

Do not operate in an explosive atmosphere.

Keep product surfaces clean and dry: Remove the input signals before cleaning the product.

Provide proper ventilation: Refer to the manual's installation instructions for details on installing the product so it has proper ventilation.

Slots and openings are provided for ventilation and should never be covered or otherwise obstructed. Do not push objects into any of the openings.

Provide a safe working environment: Always place the product in a location convenient for viewing the display and indicators.

Be sure your work area meets applicable ergonomic standards. Consult with an ergonomics professional to avoid stress injuries.

Use only the Telestream rackmount hardware specified for this product.

Service Safety Summary

The Service safety summary section contains additional information required to safely perform service on the product. Only qualified personnel should perform service procedures. Read this Service safety summary and the General safety summary before performing any service procedures.

To avoid electric shock: Do not touch exposed connections.

Do not service alone: Do not perform internal service or adjustments of this product unless another person capable of rendering first aid and resuscitation is present.

Disconnect power: To avoid electric shock, switch off the product power and disconnect the power cord from the mains power before removing any covers or panels, or opening the case for servicing.

Use care when servicing with power on: Dangerous voltages or currents may exist in this product. Disconnect power, remove battery (if applicable), and disconnect test leads before removing protective panels, soldering, or replacing components.

Verify safety after repair: Always recheck ground continuity and mains dielectric strength after performing a repair.

Terms in the Manual

These terms may appear in this manual:



WARNING. Warning statements identify conditions or practices that could result in injury or loss of life.



CAUTION. Caution statements identify conditions or practices that could result in damage to this product or other property.

Terms on the Product

These terms may appear on the product:

DANGER indicates an injury hazard immediately accessible as you read the marking. **WARNING** indicates an injury hazard not immediately accessible as you read the marking.

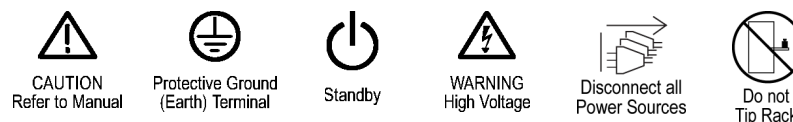
CAUTION indicates a hazard to property including the product.

Symbols on the Product



When this symbol is marked on the product, be sure to consult the manual to find out the nature of the potential hazards and any actions which have to be taken to avoid them. (This symbol may also be used to refer the user to ratings in the manual.)

The following symbol(s) may appear on the product:



General Safety Product Specific Statements

Use the product only as specified. Review the following safety precautions to avoid injury and prevent damage to this product or any products connected to it. Carefully read all instructions. Retain these instructions for future reference.

Comply with local and national safety codes.

For correct and safe operation of the product, it is essential that you follow generally accepted safety procedures in addition to the safety precautions specified in this manual. The product is designed to be used by trained personnel only.

Only qualified personnel who are aware of the hazards involved should remove the cover for repair, maintenance, or adjustment.

Before use, always check the product with a known source to be sure it is operating correctly.

This product is not intended for detection of hazardous voltages.

Use personal protective equipment to prevent shock and arc blast injury where hazardous live conductors are exposed.

When incorporating this equipment into a system, the safety of that system is the responsibility of the assembler of the system



CAUTION. *To prevent risk of fire, adequate airflow to instrument(s) and rack adapter must be maintained. Failure to provide adequate airflow to instrument(s) could cause an instrument to shut down.*

Inadequate airflow includes placing instrument(s) and rack adapter in any small, enclosed room that lacks a ventilation system, such as a closet. If the airflow is restricted or blocked and the instrument(s) do not shut down, the risk of fire is increased and the instrument(s) could be permanently damaged.

Dual rack cabinet installation

NOTE. See the installation manual for your waveform monitor for information about making power and signal connections to the instrument.

There are two optional dual rack cabinets (19-inch, 3RU) available for the PRISM MPI monitor:

- **MPI-RACK-MM.** Allows you to install one MPI unit or two MPI units side-by-side. Each side of the cabinet front panel has two USB ports and a headphone jack for each MPI unit.
- **MPI-RACK-MW.** Allows you to install one MPI unit or one MPI unit in a side-by-side installation with a WFM52x0, WFM7200, or WFM8x00 waveform monitor. The left side of the cabinet front panel has two USB ports and a headphone jack for one MPI unit.

Dual rack cabinet versions There are two versions of the instructions for the MPI-RACK-MM and MPI-RACK-MW dual rack cabinets:

Table 1: PRISM dual rack cabinet documentation

Document	Part Number	Description
PRISM MPI Dual Rack Cabinet Version 1 Installation Instructions	071-3501-XX (English)	In version 1 of the instructions, the MPI-RACK-MM and the MPI-RACK-MW cabinets are the same size.
PRISM MPI Dual Rack Cabinet Version 2 Installation Instructions	071-3725-XX (English)	In the second version of the instructions, the MPI-RACK-MW cabinet comes with a removable extender installed that makes it longer than the MPI-RACK-MM cabinet.

Dual rack cabinet cooling and clearance requirements



CAUTION. To prevent risk of fire, adequate airflow to instrument(s) and rack adapter must be maintained. Failure to provide adequate airflow to instrument(s) could cause an instrument to shut down.

Inadequate airflow includes placing instrument(s) and rack adapter in any small, enclosed room that lacks a ventilation system, such as a closet. If the airflow is restricted or blocked and the instrument(s) do not shut down, the risk of fire is increased and the instrument(s) could be permanently damaged.

The instrument has specific cooling and clearance requirements. Make sure that the clearance requirements for proper airflow are met for both the dual rack cabinet and the instrument. See the *PRISM Installation and Safety Instructions* manual for information about the environmental operating requirements for the instrument.

Table 2: Clearance requirements for the dual rack cabinet

Instrument side	Clearance requirement
Top and bottom	None
Left and right sides	2 in (51 mm)
Front	None
Rear	3 in (76 mm)

Recommended tool list

Table 3: Recommended tool list

Name	Description
Screwdriver handle	Torque driver handle. Accepts 1/4-in. hex-head driver tips
#2 Phillips tips or PoziDriv tip	Phillips or PoziDriv-driver tip for #2 size screw heads
T-10 TORX tip	Used for removing instrument screws. TORX-driver bit for T-10 size screw heads.
T-15 TORX tip	Used for removing instrument screws. TORX-driver bit for T-10 size screw heads.

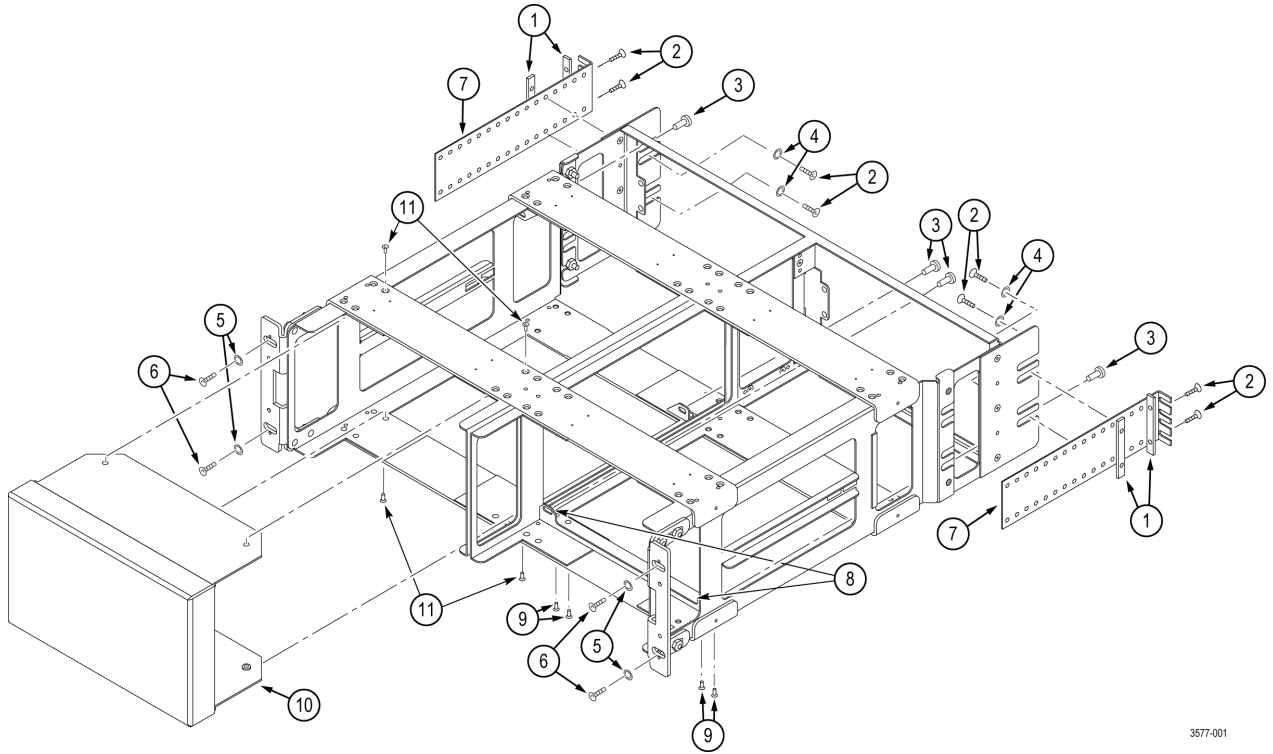
Supplied hardware

This table lists the hardware supplied with the dual rack cabinet kit. The installation instructions includes references to these parts by the item numbers to help in selecting the correct parts.

Table 4: Supplied hardware

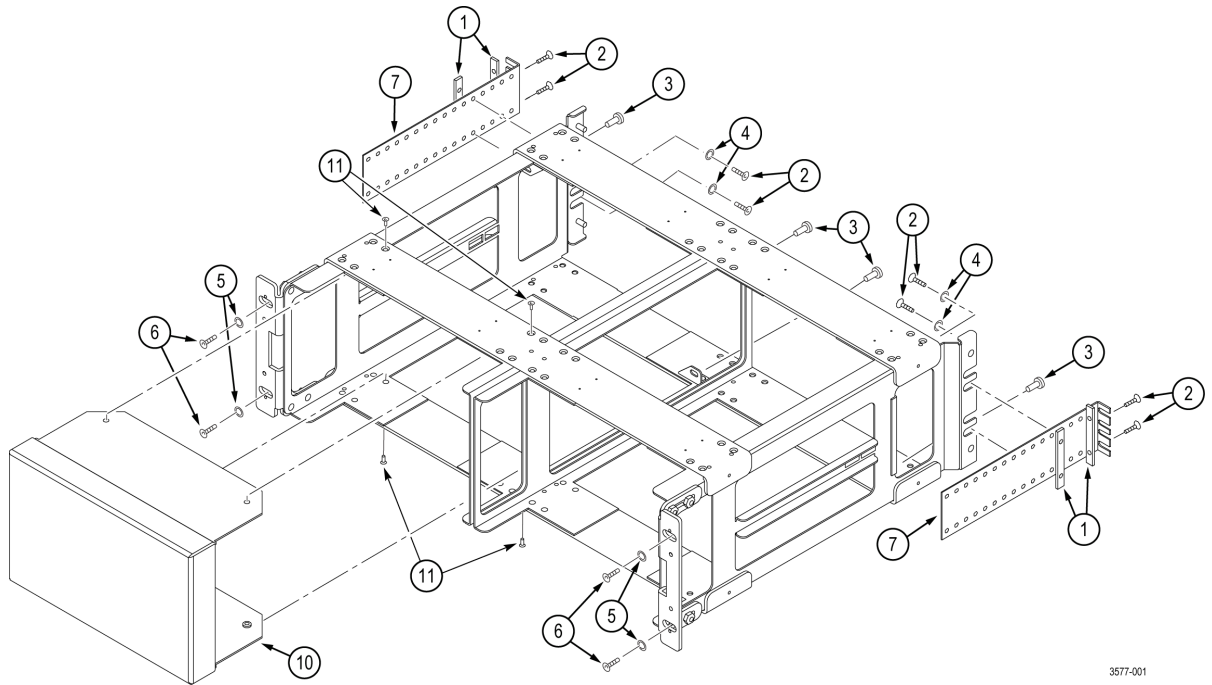
Item number	Telestream part number	Description	Quantity
Hardware kit			
1	381-0251-XX	NUT BAR; 10-32 X 3.0 X 0.375 X 0.120	4
2	212-0577-XX	SCREW, MACHINE; 10-32 X 0.625, TRH, ZINC PLATED STEEL, PHIL	8
3	211-0511-XX	SCREW, MACHINE; 6-32 X 0.5, PNH, STEEL, ZINC PLATED, T15 TORX	8
4	210-1061-XX	WASHER, FLAT; 0.203 ID X 0.625 OD X 0.062, ZINC PLATED STEEL	4
5	210-1298-XX	WASHER; SHOULDER & RETAINER, 0.195 ID X 0.195 THK, PLASTIC, TV GRAY, 6.575 OD	4
6	212-0591-XX	SCREW, MACHINE; 10-32 X 0.750 OVAL HEAD, POZI	4
Guide Bracket			
7	407-3752-XX	BRACKET, EXT; 2.5 X 8.06 X 0.06, STEEL; SAFETY CONTROLLED	2
WFM52x0 Bracket (MPI-RACK-MW only)			
8	407-6011-XX	RACK MOUNT, INSTRUMENT MTG BRACKET, 5000 SERIES	1
9	211-0718-XX	SCREW, MACHINE; 6-32 X 0.312, FLH100, STEEL, ZINC FINISH, T-10 TORX DR	4
Blank panel			
10	200-5432-XX	PANEL, BLANK MPI, WFM, RACK	1
11	211-0734-XX	SCREW, MACHINE; 6-32 X 0.250, FLH100, STEEL, ZINC FINISH, T-10 TORX DR	4

Dual rack cabinet installation



3577-001

Figure 1: MPI-RACK-MW parts diagram



3577-001

Figure 2: MPI-RACK-MM parts diagram

Install the dual rack cabinet in the equipment rack

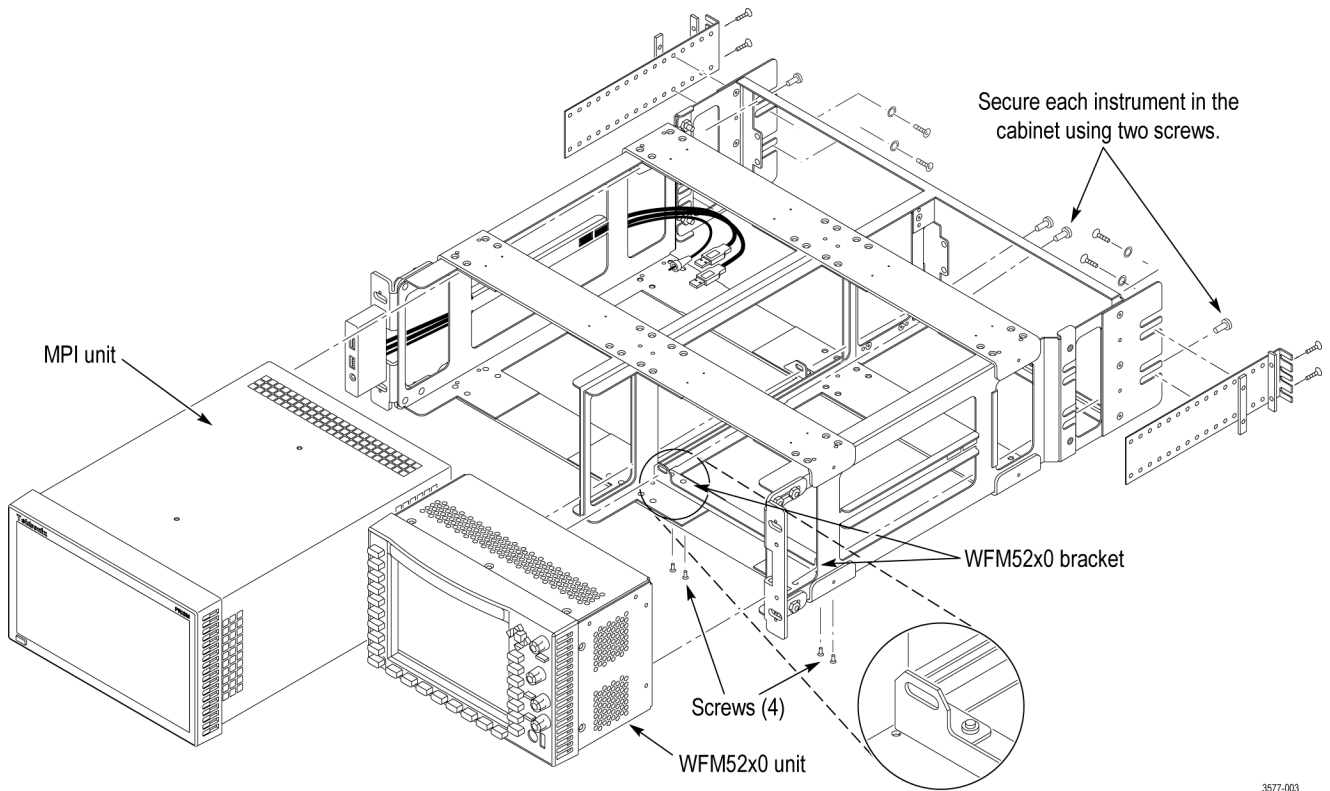
Before you install an instrument into the rack adapter, install the adapter into the rack using the following steps:

1. Position the dual rack cabinet so that the headphone jack(s) on the front of the cabinet is on the bottom. (See Figure 3.)

NOTE. *The MPI-RACK-MM cabinet has headphone jacks on both sides of the cabinet; the MPI-RACK-MW cabinet has one headphone jack on the left side of the cabinet.*

2. **MPI-RACK-MW only:** Perform the following steps if you are installing a WFM52x0 waveform monitor in a MPI-RACK-MW cabinet:
 - a. Install the WFM52x0 bracket (item 8 in Table 4) in the right side of the cabinet as shown. (See Figure 3.)
 - b. Use a screwdriver with a TORX T-10 tip to attach the WFM52x0 bracket to the cabinet with four 6-32 X 0.312 screws (item 9 in Table 4).
3. If desired, you can adjust the position of the handle brackets to mount the adapter flush with other equipment in the rack. To do this, loosen the nuts that attach the handle brackets to the rack adapter, adjust the position of the handle brackets as desired, and then tighten the nuts securely. (See Figure 4.)
4. Use a screwdriver with a PosiDriv tip to attach the rack adapter assembly to the front frame of the rack with four 10-32 X 0.750 screws (item 6 in Table 4) and four shoulder washers (item 5 in Table 4).
5. Use a screwdriver with a Phillips tip to install one guide bracket (item 7 in Table 4) to one side of the rear frame of the rack with two 10-32 X 0.625 screws (item 2 in Table 4) and one nut bar (item 1 in Table 4) as shown. (See Figure 3.)
6. Use a screwdriver with a Phillips tip to attach the guide bracket to the cabinet with two 10-32 X 0.625 screws (item 2 in Table 4), two washers (item 4 in Table 4) and one nut bar (item 1 in Table 4). Use the holes in the bracket that will accommodate the depth of the instrument rack frame being used. Leave the screws loose.
7. Repeat steps 5 and 6 to install the second guide bracket to the other side of the cabinet.
8. Tighten all of the attaching screws that were left loose in the previous steps.

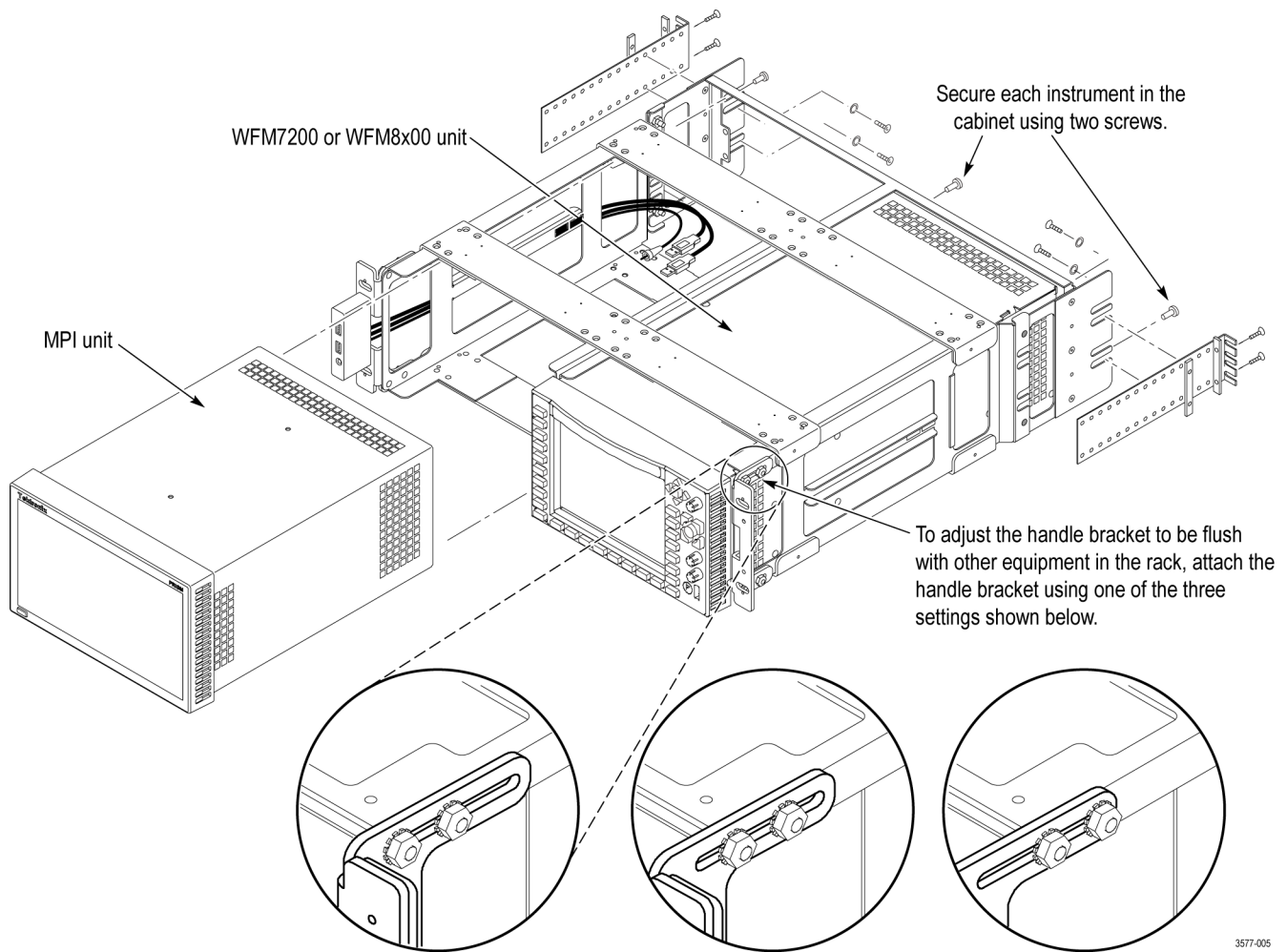
Dual rack cabinet installation



3577-003

Figure 3: Installing one MPI monitor and one WFM52x0 waveform monitor in the MPI-RACK-MW dual rack cabinet

NOTE. If only one instrument is installed in the MPI-RACK-MW dual rack cabinet, a blank panel can be attached to the front of a empty slot on either side of the cabinet. The blank panel (item 10 in Table 4) and four 6-32 X 0.250 screws (item 11 in Table 4) used to attach it to the front frame are supplied in the rack kit.



3577-005

Figure 4: Installing one MPI monitor and one WFM7200 or WFM8x00 waveform monitor in the MPI-RACK-MW dual rack cabinet

NOTE. *If only one instrument is installed in the MPI-RACK-MW dual rack cabinet, a blank panel can be attached to the front of a empty slot on either side of the cabinet. The blank MPI panel (item 10 in Table 4) and four 6-32 X 0.250 screws (item 11 in Table 4) used to attach it to the front frame are supplied in the rack kit.*

Dual rack cabinet installation

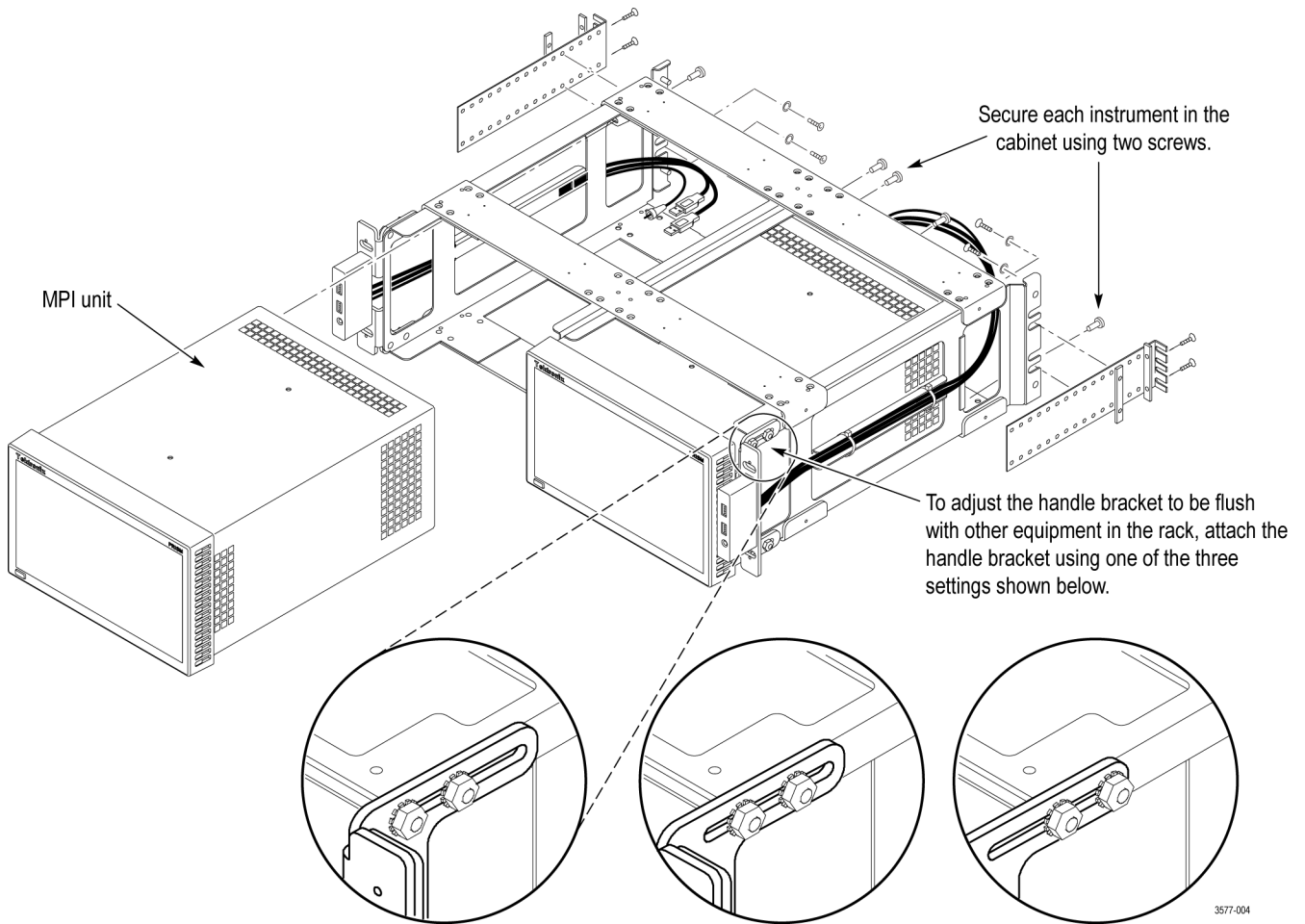


Figure 5: Installing two MPI monitors in the MPI-RACK-MM dual rack cabinet

NOTE. If only one instrument is installed in the MPI-RACK-MM dual rack cabinet, a blank panel can be attached to the front of a empty slot on either side of the cabinet. The blank MPI panel (item 10 in Table 4) and four 6-32 X 0.250 screws (item 11 in Table 4) used to attach it to the front frame are supplied in the rack kit.

Install instrument(s) in the dual rack cabinet

After you install the dual rack cabinet in the equipment rack, use these steps to install instrument(s) in the cabinet:



CAUTION. To prevent the USB and headphone cables from being damaged, make sure the cables are not in the way as you slide the instrument into the rack cabinet.

1. Install an MPI unit in the dual rack cabinet: (See Figure 3.) (See Figure 4.) (See Figure 5.)
 - a. Slide an MPI unit into the left slot in the dual rack cabinet.

NOTE. For the MPI-RACK-MW cabinet, the MPI unit must be installed in the left slot of the cabinet. For the MPI-RACK-MM cabinet, you can install the MPI unit in the left or right slot of the cabinet.

- b. Use a screwdriver with a TORX T-15 tip to secure the instrument in the dual rack cabinet with two 10-32 X 0.625 screws (item 3 in Table 4). The screws attach to the top right and bottom left holes in the instrument chassis as viewed from the rear.
 - c. Connect the cables from the USB ports and headphone jack on the dual rack cabinet to the rear of the instrument. (See Figure 6.)
 - d. Connect power, signal, and Ethernet cables to the instrument as needed. See the *PRISM Installation and Safety Instructions* manual for information about making signal connections to the instrument.
 2. For the MPI-RACK-MM cabinet only, repeat step 1 to install a second MPI unit in the right slot of the dual rack cabinet.
 3. For the MPI-RACK-MW cabinet only:
 - a. Install a Teletream WFM52x0, WFM7200, or WFM8x00 waveform monitor in the right slot of the dual rack cabinet. (See Figure 3.) (See Figure 4.)
 - b. Use a screwdriver with a TORX T-15 tip to secure the waveform monitor in the dual rack cabinet with two 10-32 X 0.625 screws (item 3 in Table 4). The screws attach to the right and left holes in the middle of the instrument chassis as viewed from the rear.
 - c. Connect power and signal cables to the waveform monitor as needed.

NOTE. See the installation manual for your waveform monitor for information about making power and signal connections to the instrument.

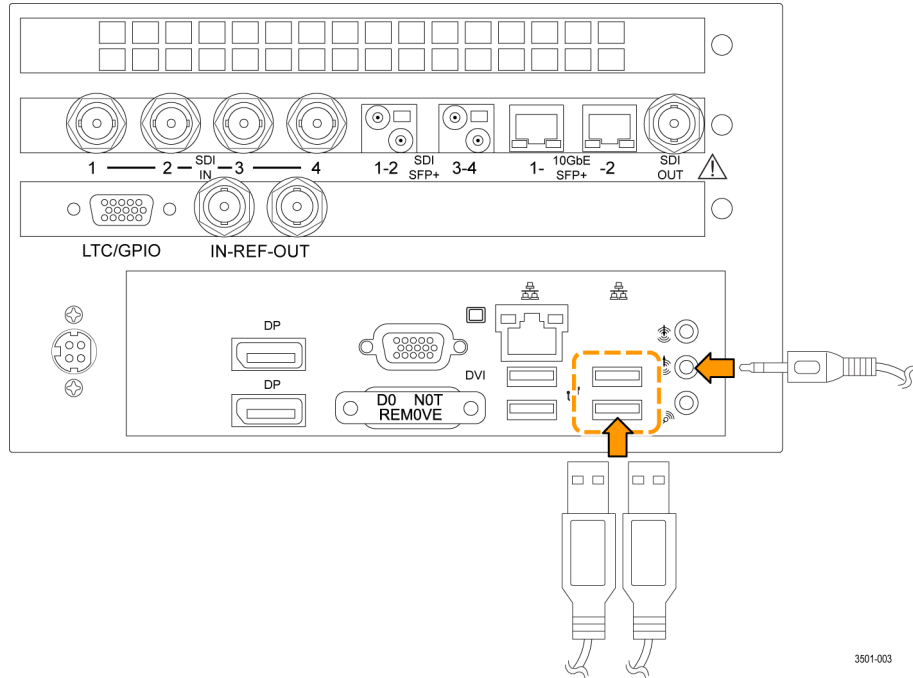


Figure 6: Connecting the cabinet USB and audio cables to the PRISM monitor

4. If only one instrument is installed in the MPI-RACK-MM or MPI-RACK-MW dual rack cabinet, use the following steps to attach a blank panel over the front of the empty slot.
 - a. Slide the blank MPI panel (item 10 in Table 4) into the empty slot in the rack cabinet.
 - b. Use a screwdriver with a TORX T-10 tip to attach the blank panel to the front frame with four 6-32 X 0.250 screws (item 11 in Table 4).

Remove the dual rack cabinet extender (MPI-RACK-MW only)

Use the following steps to remove the extender from the back of the MPI-RACK-MW cabinet:

1. Remove the two nuts inside each side of the extender.
2. Slide the extender off the back of the of the dual rack cabinet.

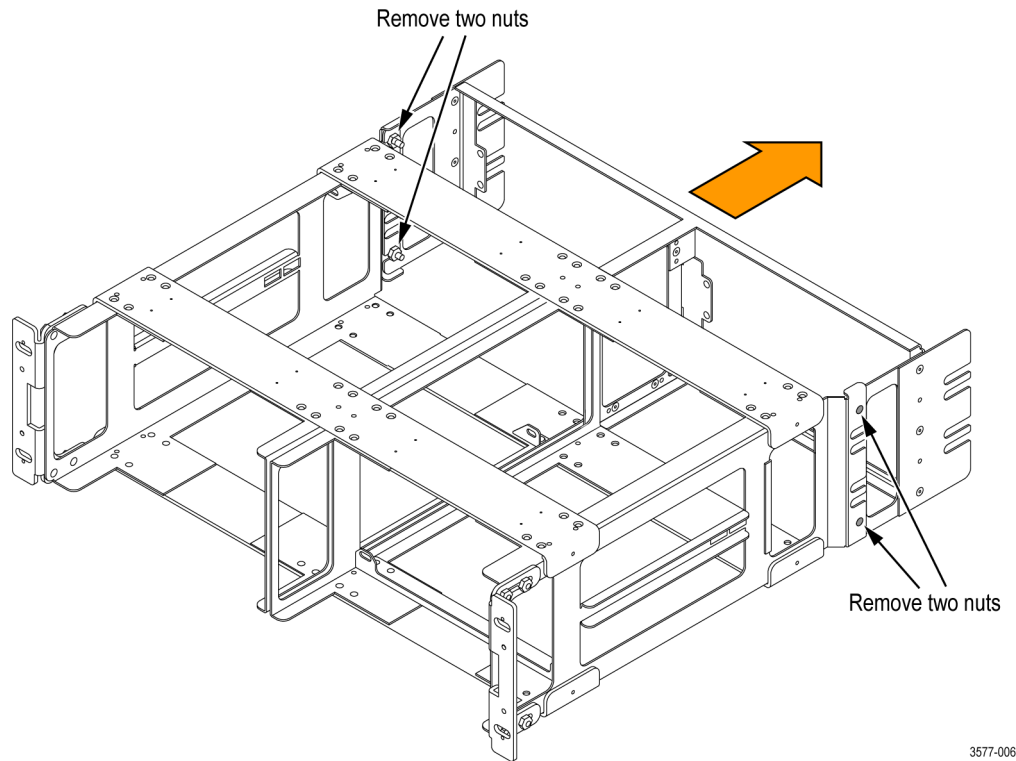


Figure 7: Removing the back extender from the MPI-RACK-MW dual rack cabinet