



**PRISM MPS  
SDI / IP Waveform Monitor  
Portable Accessory Installation and  
Safety Manual**

## Copyrights and Trademark Notices

Copyright © 2022 Telestream, LLC and its Affiliates. All rights reserved. TELESTREAM is a registered trademark of Telestream, LLC. All other trade names referenced are the service marks, trademarks, or registered trademarks of their respective companies.

Telestream products are covered by U.S. and foreign patents, issued and pending. Information in this publication supersedes that in all previously published material. Specifications and price change privileges reserved.

TELESTREAM is a registered trademark of Telestream, LLC.

**Blender:** Images from Big Buck Bunny used without modification under the Creative Commons Attribution 3.0 license. (c) copyright 2008, Blender Foundation / <http://peach.blender.org/about/>.

**Dolby:** Dolby and the double-D symbol are registered trademarks of Dolby Laboratories.

### Warranty

Telestream on behalf of itself and its Affiliates (“Telestream”) warrants that this product will be free from defects in materials and workmanship for a period of one (1) year from the date of shipment. If any such product proves defective during this warranty period, Telestream, at its option, either will repair the defective product without charge for parts and labor, or will provide a replacement in exchange for the defective product. Parts, modules and replacement products used by Telestream for warranty work may be new or reconditioned to like new performance. All replaced parts, modules and products become the property of Telestream.

In order to obtain service under this warranty, Customer must notify Telestream of the defect before the expiration of the warranty period and make suitable arrangements for the performance of service. Customer shall be responsible for packaging and shipping the defective product to the service center designated by Telestream, with shipping charges prepaid. Telestream shall pay for the return of the product to Customer if the shipment is to a location within the country in which the Telestream service center is located. Customer shall be responsible for paying all shipping charges, duties, taxes, and any other charges for products returned to any other locations.

This warranty shall not apply to any defect, failure or damage caused by improper use or improper or inadequate maintenance and care. Telestream shall not be obligated to furnish service under this warranty a) to repair damage resulting from attempts by personnel other than Telestream representatives to install, repair or service the product; b) to repair damage resulting from improper use or connection to incompatible equipment; c) to repair any damage or malfunction caused by the use of non- Telestream supplies; or d) to service a product that has been modified or integrated with other products when the effect of such modification or integration increases the time or difficulty of servicing the product.

THIS WARRANTY IS GIVEN BY TELESTREAM WITH RESPECT TO THE PRODUCT IN LIEU OF ANY OTHER WARRANTIES, EXPRESS OR IMPLIED. TELESTREAM AND ITS VENDORS

DISCLAIM ANY IMPLIED WARRANTIES OF MERCHANTABILITY OR FITNESS FOR A PARTICULAR PURPOSE. TELESTREAM'S RESPONSIBILITY TO REPAIR OR REPLACE DEFECTIVE PRODUCTS IS THE SOLE AND EXCLUSIVE REMEDY PROVIDED TO THE CUSTOMER FOR BREACH OF THIS WARRANTY. TELESTREAM AND ITS VENDORS WILL NOT BE LIABLE FOR ANY INDIRECT, SPECIAL, INCIDENTAL, OR CONSEQUENTIAL DAMAGES IRRESPECTIVE OF WHETHER TELESTREAM OR THE VENDOR HAS ADVANCE NOTICE OF THE POSSIBILITY OF SUCH DAMAGES.

[W2 – 15AUG04]

## **TELESTREAM SOFTWARE LICENSE AGREEMENT**

THE PROGRAM, OR PROGRAMS, ENCODED OR INCORPORATED WITHIN EQUIPMENT OR ACCOMPANYING THIS AGREEMENT, IS FURNISHED SUBJECT TO THE TERMS AND CONDITIONS OF THIS AGREEMENT. RETENTION OF THE PROGRAM FOR MORE THAN THIRTY DAYS OR USE OF THE PROGRAM IN ANY MANNER WILL BE CONSIDERED ACCEPTANCE OF THE AGREEMENT TERMS. IF THESE TERMS ARE NOT ACCEPTABLE, THE UNUSED PROGRAM AND ANY ACCOMPANYING DOCUMENTATION SHOULD BE RETURNED PROMPTLY TO TELESTREAM FOR A FULL REFUND OF THE LICENSE FEE PAID. (FOR INFORMATION REGARDING THE RETURN OF PROGRAMS ENCODED OR INCORPORATED WITHIN EQUIPMENT, CONTACT THE NEAREST TELESTREAM SALES OFFICE.)

### **DEFINITIONS**

"Telestream" means Telestream, LLC, a Delaware limited liability company, and its Affiliates, or the local Telestream legal entity that is supplying the equipment.

"Program" means the Telestream software product (executable program and/or data) enclosed with this Agreement or included within the equipment with which this Agreement is packed. "Customer" means the person or organization in whose name the Program was ordered.

### **LICENSE**

Customer may:

1. Use the Program on a single machine at any one time; and
2. Copy the Program for archival or backup purposes, provided that no more than one (1) such copy is permitted to exist at any one time. Each copy of the Program made by Customer must include a reproduction of any copyright notice or restrictive rights legend appearing in or on the copy of the Program as received from Telestream.

Customer may not:

1. Use the Program on more than one machine at any one time;
2. Transfer the Program to any person or organization outside of Customer or the corporation of which Customer is a part without the prior written consent of Telestream, except in connection with the transfer of the equipment within which the programs are encoded or incorporated;

3. Export or re-export, directly or indirectly, the program, any associated documentation, or the direct product thereof, to any country to which such export or re-export is restricted by law or regulation of the United States or any foreign government having jurisdiction without the prior authorization, if required, of the Office of Export Administration, Department of Commerce, Washington, D.C. and the corresponding agency of such foreign government;
4. Modify the Program, create derivative works, or merge the Program with another program;
5. Reverse compile or disassemble the Program for any purpose, beyond the extent that such activity is expressly permitted by applicable open source licenses or applicable law notwithstanding this limitation; or
6. Copy the documentation accompanying the Program.

For Programs designed to reside on a single-machine and support one or more additional machines, either locally or remotely, without permitting the Program to be transferred to an additional machine for local execution, the additional machines shall be considered within the definition of "single machine." For programs permitting the Program to be transferred to an additional machine for local execution, a separate license shall be required for each such machine with which the Program may be used. Title to the Program and all copies thereof, but not the media on which the Program or copies may reside, shall be and remain with Telestream or others for whom Telestream has obtained a respective licensing right. Customer shall pay when due all property taxes that may now or hereafter be imposed, levied or assessed with respect to the possession or use of the Program or this license and shall file all reports required in connection with such taxes. If the Program or any related documentation is acquired by or for an agency of the U.S. Government, the Program and documentation shall be considered "commercial computer software" or "commercial computer software documentation" respectively, as those terms are used in 48 CFR §12.212, 48 CFR §227.7202, or 48 CFR §252.227-7014, and are licensed with only those rights as are granted to all other licensees as set forth in this Agreement.

THE PROGRAM MAY NOT BE USED, COPIED, MODIFIED, MERGED, OR TRANSFERRED TO ANOTHER EXCEPT AS EXPRESSLY PERMITTED BY THESE TERMS AND CONDITIONS. UPON TRANSFER OF ANY COPY, MODIFICATION, OR MERGED PORTION OF THE PROGRAM, THE LICENSE GRANTED HEREIN IS AUTOMATICALLY TERMINATED WITH RESPECT TO THE PARTY THAT TRANSFERS THE PROGRAM.

#### **TERM**

The license granted herein is effective upon acceptance by Customer, and shall remain in effect until terminated as provided herein. The license may be terminated by Customer at any time upon written notice to Telestream. The license may be terminated by Telestream or any third party from whom Telestream may have obtained a respective licensing right if Customer fails to comply with any term or condition and such failure is not remedied within thirty (30) days after notice hereof from Telestream or such third party. Upon termination by either party, Customer shall return to Telestream or destroy, the Program and all associated documentation, together with all copies in any form.



**LIMITED WARRANTY**

The Program is provided "as is" without warranty of any kind, either express or implied. Telestream does not warrant that the functions contained in the Program will meet Customer's requirements or that the operation of the Program will be uninterrupted or error-free.

TELESTREAM AND ITS VENDORS DISCLAIM ANY IMPLIED WARRANTIES OF MERCHANTABILITY OR FITNESS FOR A PARTICULAR PURPOSE. LIMITATION OF LIABILITY, IN NO EVENT SHALL TELESTREAM OR OTHERS FROM WHOM TELESTREAM HAS OBTAINED A LICENSING RIGHT BE LIABLE FOR ANY INDIRECT, SPECIAL, INCIDENTAL, OR CONSEQUENTIAL DAMAGES ARISING OUT OF OR CONNECTED WITH CUSTOMER'S POSSESSION OR USE OF THE PROGRAM, EVEN IF TELESTREAM OR SUCH OTHERS HAS ADVANCE NOTICE OF THE POSSIBILITY OF SUCH DAMAGES.

**THIRD-PARTY DISCLAIMER**

Except as expressly agreed otherwise, third parties from whom Telestream may have obtained a licensing right do not warrant the program, do not assume any liability with respect to its use, and do not undertake to furnish any support or information relating thereto.

**GENERAL**

This Agreement contains the entire agreement between the parties with respect to the use, reproduction, and transfer of the Program. Neither this Agreement nor the license granted herein is assignable or transferable by Customer without the prior written consent of Telestream. This Agreement and the license granted herein shall be governed by the laws of the state of California. All questions regarding this Agreement or the license granted herein should be directed to the nearest Telestream Sales Office.

# Table of Contents

Important Compliance and Safety Information	7
Preface	17
Product Description	17
Where to Find More Information	18
Conventions Used in This Manual	18
Telestream Contact Information	19
Assembly	20
Initial Product Inspection	20
Accessories	20
Attach Tripod Mount	22
Attach Bottom Bracket	23
Attach Handle	24
Attach Protective Cover	25
Attach Battery Mount	26

# Important Compliance and Safety Information

## United States of America Compliance Notices

### Class A Interference Statement

This equipment has been tested and found to comply with the limits for a Class A digital device, pursuant to Part 15, Subpart B of the FCC Rules. These limits are designed to provide reasonable protection against harmful interference in a commercial installation. This equipment generates, uses, and can radiate radio frequency energy and, if not installed and used in accordance with the instructions, may cause harmful interference to radio communications. However, there is no guarantee that interference will not occur in a particular installation. Operation of this equipment in a residential area is likely to cause harmful interference in which case the user will be required to correct the interference at his own expense.

### FCC Caution

This device complies with Part 15 of the FCC Rules. Operation is subject to the following two conditions:

1. This device may not cause harmful interference, and
2. This device must accept any interference received, including interference that may cause undesired operation.

### Safety

UL 61010-1: 2012 R7.19: Safety Requirements for Electrical Equipment for Measurement, Control, and Laboratory Use - Part 1: General Requirements.

### Environmental

Perchlorate Materials: this product contains one or more type CR lithium batteries. According to the state of California, CR lithium batteries are classified as perchlorate materials and require special handling.

See [www.dtsc.ca.gov/hazardouswaste/perchlorat](http://www.dtsc.ca.gov/hazardouswaste/perchlorat) for additional information.

## Canada Compliance Notices

### Department of Communications Radio Interference Regulations

This digital apparatus does not exceed the Class A limits for radio-noise emissions from a digital apparatus as set out in the Radio Interference Regulations of the Canadian Department of Communications. This Class A digital apparatus complies with Canadian ICES-003.

### Reglement sur le brouillage radioelectrique du Quadstere des Communications

Cet appareil numerique respecte les limites de bruits radioelectriques visant les appareils numeriques de classe A prescrites dans le Reglement sur le brouillage radioelectrique du Quadstere des Communications du Canada. Cet appareil numerique de la Classe A est conforme a la norme NMB-003 du Canada.

### Safety

CAN/CSA-C22.2 NO. 61010-1-12 + G11 + G12 (R2017) + A1: Safety Requirements for Electrical Equipment for Measurement, Control, and Laboratory Use - Part 1: General Requirements.

### Sécurité

CAN/CSA-C22.2 NO. 61010-1-12 + G11 + G12 (R2017) + A1: Exigences de sécurité pour l'électricité Matériel de mesure, de contrôle et d'utilisation en laboratoire - Partie 1: Généralités Exigences.

## European Union and European Free Trade Association (EFTA) Compliance Notices

This equipment may be operated in the countries that comprise the member countries of the European Union and the European Free Trade Association. These countries, listed in the following paragraph, are referred to as The European Community throughout this document:

AUSTRIA, BELGIUM, BULGARIA, CYPRUS, CZECH REPUBLIC, DENMARK, ESTONIA, FINLAND, FRANCE, GERMANY, GREECE, HUNGARY, IRELAND, ITALY, LATVIA, LITHUANIA, LUXEMBOURG, MALTA, NETHERLANDS, POLAND, PORTUGAL, ROMANIA, SLOVAKIA, SLOVENIA, SPAIN, SWEDEN, UNITED KINGDOM, ICELAND, LICHTENSTEIN, NORWAY, SWITZERLAND

### Declaration of Conformity

Marking by the "CE" symbol indicates compliance with the Essential Requirements of the EMC Directive of the European Union 2014/30/EU

This equipment meets the following conformance standards:

### Safety

EN 61010-1: 2010 + A1: Safety Requirements for Electrical Equipment for Measurement, Control, and Laboratory Use - Part 1: General Requirements Low Voltage Directive 2014/35/EU

### Emissions

EN 55032: 2015 + A11: 2020, CISPR 32: 2015, EN 61000-3-2: 2014, EN 61000-3-3: 2013

### Immunity

EN 55035: 2017, EN 61000-4-2: 2009,

EN 61000-4-3: 2006 + A1: 2008 + A2: 2010, EN 61000-4-4: 2012,

EN 61000-4-5: 2014 + A1: 2017, EN 61000-4-6: 2014, EN 61000-4-8: 2010,

EN 61000-4-11: 2020

Environments: E2

### Warnings



Warning! This is a Class A product. In a domestic environment, this product may cause radio interference, in which case, the user may be required to take appropriate measures.



Achtung! Dieses ist ein Gerat der Funkstorgrenzwertklasse A. In Wohnbereichen können bei Betrieb dieses Gerates Rundfunkstörungen auftreten, in welchen Fallen der Benutzer für entsprechende Gegenmaßnahmen verantwortlich ist.



Attention! Ceci est un produit de Classe A. Dans un environnement domestique, ce produit risque de créer des interférences radioélectriques, il appartiendra alors à l'utilisateur de prendre les mesures spécifiques appropriées.

Notes:

1. For Compliance with the EMC standards listed here, high quality shielded interface cables should be used.
2. Emissions which exceed the levels required by this standard may occur when this equipment is connected to a test object.

### Environmental Compliance

This section provides information about the environmental impact of the product.

#### *Product end-of-life handling*

Observe the following guidelines when recycling an instrument or component:

#### *Equipment recycling*



Production of this equipment required the extraction and use of natural resources. The equipment may contain substances that could be harmful to the environment or human health if improperly handled at the product's end of life. To avoid release of such substances into the environment and to reduce the use of natural resources, we

encourage you to recycle this product in an appropriate system that will ensure that most of the materials are reused or recycled appropriately.

This symbol on the product or its packaging indicates that this product complies with the applicable European Union requirements according to Directives 2012/19/EU and 2006/66/EC on waste electrical and electronic - equipment (WEEE) and batteries.

It also indicates that this product must not be disposed of with your other household waste. Instead, it is your responsibility to dispose of your waste equipment by handing it over to a designated collection point for the recycling of waste electrical and electronic equipment. The separate collection and recycling of your waste equipment at the time of disposal will help conserve natural resources and ensure that it is recycled in a manner that protects human health and the environment. For more information about where you can drop off your waste for recycling, please contact your local authority, or where you purchased your product.

*Battery Recycling*

This product may contain a rechargeable battery, which must be recycled or disposed of properly. Please properly dispose of or recycle the battery according to local government regulations.

*Transporting Batteries or products with Batteries in them*

The capacity of the lithium ion secondary battery shipped with this product is under 100 Wh. The lithium content of the installed primary battery is under 1 g. Each battery meets the applicable requirements of UN Manual of Tests and Criteria Part III Section 38.3. Battery quantity is under the limit for shipment according to Section II of the relevant Packing Instructions from the IATA Dangerous Goods Regulations. Consult your air carrier for applicability and determination of any special lithium battery transportation requirements.

*Restriction of Hazardous Substances*


This product is classified as an industrial monitoring and control instrument, and is not required to comply with the substance restrictions of the RoHS 3 Directives 2011 /65/ EU and EU 2015/863 until July 22, 2021. This product does, however, comply with the RoHS 2 Directive 2011/65/EU.

## Korea Compliance Statement

사 용 자 안 내 문


이 기기는 업무용 환경에서 사용할 목적으로 적합성평가를 받은 기기로서 가정용 환경에서 사용하는 경우 전파간섭의 우려가 있습니다.

## Taiwan Compliance Statement

 使用者：  
這是甲類的資訊產品，在居住的環境中使用時，可能會造成射頻干擾，在這種情況下，使用者會被要求採取某些適當的對策。

This is a Class A product based on the standard of the Bureau of Standards, Metrology and Inspection (BSMI) CNS 13438, Class A. In a domestic environment this product may cause radio interference in which case the user may be required to take adequate measures.

## Japan Compliance Statement

 の装置は、クラスA情報技術装置です。この装置を家庭環境で使用すると電波妨害を引き起こすことがあります。この場合には使用者が適切な対策を講ずるよう要求されることがあります。 VCCI-A

This is a Class A product based on the standard of the VCCI Council (VCCI 32: 2016). If this equipment is used in a domestic environment, radio interference may occur, in which case, the user may be required to take corrective actions.

## Important Safety Information

This manual contains information and warnings that must be followed by the user for safe operation and to keep the product in a safe condition. To safely perform service on this product, see the Service safety summary that follows the General safety summary.

### General Safety Summary

Use the product only as specified. Review the following safety precautions to avoid injury and prevent damage to this product or any products connected to it. Carefully read all instructions. Retain these instructions for future reference.

### Comply with local and national safety codes.

For correct and safe operation of the product, it is essential that you follow generally accepted safety procedures in addition to the safety precautions specified in this manual.

### The product is designed to be used by trained personnel only.

Only qualified personnel who are aware of the hazards involved should remove the cover for repair, maintenance, or adjustment. Before use, always check the product with a known source to be sure it is operating correctly.

While using this product, you may need to access other parts of a larger system. Read the safety sections of the other component manuals for warnings and cautions related to operating the system.

When incorporating this equipment into a system, the safety of that system is the responsibility of the assembler of the system.

### **To Avoid Fire or Personal Injury**

*Use proper power cord:* Use only the power cord specified for this product and certified for the country of use. Do not use the provided power cord for other products.

*Ground the product:* This product is grounded through the grounding conductor of the power cord. To avoid electric shock, the grounding conductor must be connected to earth ground. Before making connections to the input or output terminals of the product, ensure that the product is properly grounded. Do not disable the power cord grounding connection.

*Power disconnect:* The power cord disconnects the product from the power source. See instructions for the location. Do not position the equipment so that it is difficult to operate the power cord; it must remain accessible to the user at all times to allow for quick disconnection if needed.

*Observe all terminal ratings:* To avoid fire or shock hazard, observe all rating and markings on the product. Consult the product manual for further ratings information before making connections to the product. Do not apply a potential to any terminal, including the common terminal, that exceeds the maximum rating of that terminal.

*Do not operate without covers:* Do not operate this product with covers or panels removed, or with the case open. Hazardous voltage exposure is possible.

*Avoid exposed circuitry:* Do not touch exposed connections and components when power is present.

*Do not operate with suspected failures:* If you suspect that there is damage to this product, have it inspected by qualified service personnel.

*Disable the product if it is damaged.* Do not use the product if it is damaged or operates incorrectly. If in doubt about safety of the product, turn it off and disconnect the power cord. Clearly mark the product to prevent its further operation.

Before use, inspect voltage probes, test leads, and accessories for mechanical damage and replace when damaged. Do not use probes or test leads if they are damaged, if there is exposed metal, or if a wear indicator shows.

Examine the exterior of the product before you use it. Look for cracks or missing pieces.

### **Use only specified replacement parts.**

*Do not operate in wet/damp conditions:* Be aware that condensation may occur if a unit is moved from a cold to a warm environment.

Do not operate in an explosive atmosphere.



Keep product surfaces clean and dry: Remove the input signals before you clean the product.

Provide proper ventilation: Refer to the manual's installation instructions for details on installing the product so it has proper ventilation.

Slots and openings are provided for ventilation and should never be covered or otherwise obstructed. Do not push objects into any of the openings.

Provide a safe working environment: Always place the product in a location convenient for viewing the display and indicators.

Be sure your work area meets applicable ergonomic standards. Consult with an ergonomics professional to avoid stress injuries.

Use only the Telestream rackmount hardware specified for this product.

### Service Safety Summary

The Service safety summary section contains additional information required to safely perform service on the product. Only qualified personnel should perform service procedures. Read this Service safety summary and the General safety summary before performing any service procedures.

*To avoid electric shock:* Do not touch exposed connections.

*Do not service alone:* Do not perform internal service or adjustments of this product unless another person capable of rendering first aid and resuscitation is present.

*Disconnect power:* To avoid electric shock, switch off the product power and disconnect the power cord from the mains power before removing any covers or panels, or opening the case for servicing.

*Use care when servicing with power on:* Dangerous voltages or currents may exist in this product. Disconnect power, remove battery (if applicable), and disconnect test leads before removing protective panels, soldering, or replacing components.

*Verify safety after repair:* Always recheck ground continuity and mains dielectric strength after performing a repair.

### Terms in the Manual

These terms may appear in this manual:



**WARNING: Warning statements identify conditions or practices that could result in injury or loss of life.**

---



**CAUTION: Caution statements identify conditions or practices that could result in damage to this product or other property.**

---

### Terms on the Product

These terms may appear on the product:

*DANGER* indicates an injury hazard immediately accessible as you read the marking.

*WARNING* indicates an injury hazard not immediately accessible as you read the marking.

*CAUTION* indicates a hazard to property including the product.

### Symbols on the Product

When this symbol is marked on the product, be sure to consult the manual to find out the nature of the potential hazards and any actions which have to be taken to avoid them. (This symbol may also be used to refer the user to ratings in the manual.)

The following symbol(s) may appear on the product:



## General Safety Product Specific Statements

Use the product only as specified. Review the following safety precautions to avoid injury and prevent damage to this product or any products connected to it.

Carefully read all instructions. Retain these instructions for future reference.

Comply with local and national safety codes.

For correct and safe operation of the product, it is essential that you follow generally accepted safety procedures in addition to the safety precautions specified in this manual. The product is designed to be used by trained personnel only.

Only qualified personnel who are aware of the hazards involved should remove the cover for repair, maintenance, or adjustment.

Before use, always check the product with a known source to be sure it is operating correctly.

This product is not intended for detection of hazardous voltages.

Use personal protective equipment to prevent shock and arc blast injury where hazardous live conductors are exposed.

When incorporating this equipment into a system, the safety of that system is the responsibility of the assembler of the system.



**WARNING: Fire can cause personal injury and property damage. To prevent risk of fire, when using a 12-volt DC source, make sure that it has a suitable current limiting device (such as a fuse).**

ADVERTENCIA: El fuego puede causar daños personales y materiales. Para evitar el riesgo de incendio, cuando use una fuente de corriente continua de 12 voltios,

asegúrese de que lleva un dispositivo limitador de corriente apropiado (como un fusible).

WARNUNG: Feuer kann zu Verletzungen und Sachschäden führen. Um Brandgefahr zu vermeiden, vergewissern Sie sich bei Verwendung einer 12-Volt-Gleichstromquelle, dass diese über eine geeignete Strombegrenzungsvorrichtung (z. B. eine Sicherung) verfügt.

ATTENTION: Le feu peut provoquer des dégâts et blesser des personnes. Afin d'éviter tout risque de feu, quand vous utiliser une alimentation 12 volts, assurez vous que celui-ci possède une limitation de courant maximum tel qu'un fusible.

AVVERTIMENTO: Gli incendi possono causare lesioni personali e danni alle infrastrutture. Per prevenire tali rischi, quando utilizzate un alimentatore a 12 V CC, assicurarsi che questo sia provvisto di un dispositivo di limitazione della corrente (es. fusibile).

AVISO: O fogo pode causar ferimentos pessoais e danos materiais. Para evitar risco de incêndio, ao usar uma fonte de alimentação DC de 12 volts, certifique-se de que ela tem um dispositivo de limitação de corrente adequado (como um fusível).



**WARNING: Risk of personal injury and property damage from falling instrument. Batteries from different manufacturers vary in shape and weight. When a battery is installed, it can make the unit too heavy in the back and cause the instrument to tip backwards.**

ADVERTENCIA: Riesgo de lesión y daños materiales por caída del equipo. Baterías de diferentes fabricantes varían en forma y peso. Una vez instalada, la batería puede hacer el equipo más pesado en la parte de atrás y propenso a caer.

WARNUNG: Gefahr von Personen- und Sachschäden durch herabfallende Geräte. Batterien verschiedener Hersteller variieren in Form und Gewicht. Wenn eine Batterie eingebaut ist, kann das Gerät hinten zu schwer werden und nach hinten kippen.

ATTENTION: Il y a un risque de blessure aux personnes et de casse pour le matériel en cas de chute. Les batteries de différents fabricants peuvent variées en poids et tailles. Quand une batterie est installée, cela augmente le poids du matériel et renverser ce dernier.

AVVERTIMENTO: Rischio di lesioni personali e danni materiali dovuti alla caduta dello strumento. Le batterie di diversi produttori variano per forma e peso. Quando una batteria è installata, può rendere l'unità troppo pesante nella parte posteriore e causare il ribaltamento all'indietro dello strumento.

AVISO: Risco de ferimentos e danos materiais devido à queda do instrumento. As baterias de diferentes fabricantes variam em formato e peso. Quando a bateria é instalada, ela pode tornar a unidade mais pesada na parte traseira e fazer com que o instrumento tombe para trás.



---

**CAUTION: Before using the battery Power Tap feature, refer to the product information included with the battery. If that information is not available, contact the battery manufacturer for information.**

PRECAUCIÓN: Antes de usar el conector Power Tap de la batería, consulte la información incluida con la batería. Si esa información no está disponible, contacte al fabricante de la batería y pídale información.

VORSICHT: Bevor Sie die Power Tap Anschluss der Akkus verwenden, lesen Sie die beiliegende Produktinformation zu den Akkus. Wenn keine weiteren Informationen verfügbar sind, wenden Sie sich an den Batteriehersteller, um Informationen zu erhalten.

AVERTIR: Avant d'utiliser le connecteur Power Tap de batterie, veuillez vous référer aux informations produits inclus avec la batterie. Si cette information n'est pas disponible, veuillez prendre contact avec le fabricant de batterie.

ATTENZIONE: Prima di utilizzare una batteria con connettore Power Tap, leggere le relative informazioni allegate alla batteria. Se tali informazioni non fossero disponibili, contattate il produttore della batteria per averle.

CUIDADO: Antes de usar o conector Power Tap da bateria, consulte as informações do produto incluídas com a bateria. Se essas informações não estiverem disponíveis, entre em contato com o fabricante da bateria para obter mais informações.

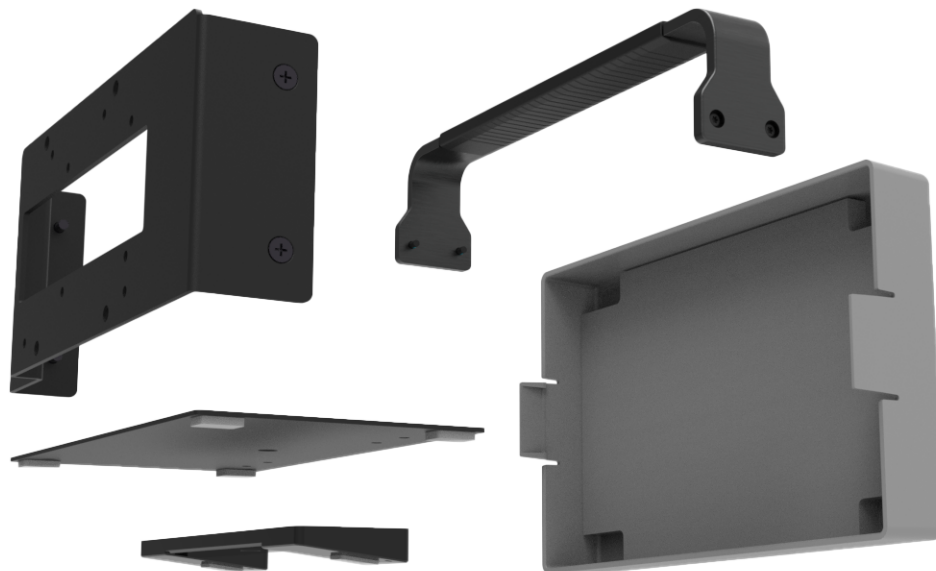
---

# Preface

This section describes how to install the MPS portability accessories. It also has a complete list of PRISM documentation (detailed operating information is available in the user manual) and contact information for Telestream support.

## Product Description

The PRISM MPS portable accessories (option MPS-PTBL) provides field-installable options to make the MPS a more flexible and mobile tool. Screws to connect all the components are included.



### Included Equipment

- Battery mount to attach a battery (not included) to the MPS for use away from an AC source
- Handle for easier portability
- Bottom bracket for protection of the bottom of the unit and protection for the surfaces it rests on
- Protective cover to protect the MPS screen when the MPS isn't in use or in a rack
- Tripod mount so the MPS can be attached to any conventional tripod

## Where to Find More Information

The full User Manual, Release Notes, and other information about your product are available for download at [telestream.net/video/resources.htm](http://telestream.net/video/resources.htm). The Product Documentation table lists all the relevant documentation for the PRISM SDI / IP Waveform Monitor.

### Product Documentation

Document	Manual type	Part number	Description
MPS-MPD User Manual	User	D00013488x	Provides detailed operating information.
Release Notes	Release Notes	D00010030x	Describes the new features, improvements, and limitations of the instrument firmware.
MPS Installation and Safety Manual	User	P00010445x	Provides basic safety and operating information (included with instrument) for a PRISM MPS.
MPS Rack Accessory Installation and Safety Manual	User	P00010448x	Describes how to connect rack equipment to a PRISM MPS instrument and install it in a rack. Provides basic safety and operating information (included with option MPS-RACK kit).
MPS Portable Accessory Installation and Safety Manual	User	P00010447x	Describes how to connect portable accessory equipment to a PRISM MPS instrument. Provides basic safety and operating information (included with option MPS-PTBL kit).

## Conventions Used in This Manual

The PRISM MPS Waveform Monitor is also referred to as the "PRISM" throughout this manual.

## Telestream Contact Information

To obtain product information, technical support, or provide comments on this guide, contact us using our web site, email, or phone number listed.

Resource	Contact Information
Telestream Video Support	Web Site: <a href="http://www.telestream.net/telestream-support">http://www.telestream.net/telestream-support</a> Email: <a href="mailto:videosupport@telestream.net">videosupport@telestream.net</a> US and Canada Toll-free: 1-844-219-5329 Outside of US and Canada: 1-503-967-9833
Telestream	Web Site: <a href="http://www.telestream.net">www.telestream.net</a> Sales and Marketing Email: <a href="mailto:info@telestream.net">info@telestream.net</a> Telestream 848 Gold Flat Road, Suite 1 Nevada City, CA. USA 95959
International Distributor Support	Web Site: <a href="http://www.telestream.net">www.telestream.net</a> See the Telestream web site for your regional authorized Telestream distributor.
Telestream Technical Writers	Email: <a href="mailto:techwriter@telestream.net">techwriter@telestream.net</a> If you have comments or suggestions about improving this document, or other Telestream documents—or if you've discovered an error or omission—please email us.

# Assembly

This section describes how to install the portable accessory equipment to the PRISM MPS.

## Initial Product Inspection

1. Inspect the shipping carton for external damage, which may indicate damage to the equipment.
2. Remove the equipment from the shipping carton and check that the equipment has not been damaged in transit. Prior to shipment the equipment is thoroughly inspected for mechanical defects. The equipment should not have any scratches or impact marks.

---

**Note:** Save the shipping carton and packaging materials for instrument repackaging in case shipment becomes necessary.

---

3. Verify the shipping carton contains the standard accessories and all necessary screws.

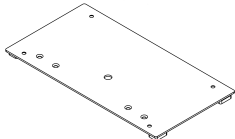
## Accessories

---

**Note:** All the accessories in the kit can be attached to an MPS at the same time. No part prevents the installation of any other part in the kit.

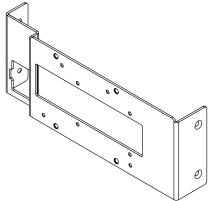
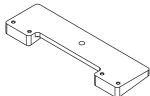
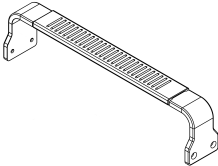
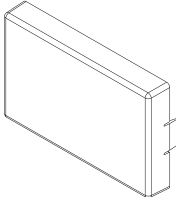


---

PRISM MPS Portable Accessory Kit



Image	Accessory	Quantity	Part number
	MPS Installation and Safety Manual	1	P00010445x
	Bottom bracket	1	P00010336x



PRISM MPS Portable Accessory Kit

Image	Accessory	Quantity	Part number
	Battery mount	1	P00010262x
	Tripod mount	1	P00010337x
	Handle	1	P00010138x
	Protective cover	1	P00010127x
	Screw, pan-head, M3 x 6, T10	4	P00010021x
<b>Note:</b> The example of the screw is not to scale.			
	Screw, flat-head, M4 x 8, Phillips	4	P00010225x
<b>Note:</b> The example of the screw is not to scale.			

PRISM MPS Portable Accessory Kit

Image	Accessory	Quantity	Part number
	Screw, flat-head, M3 x 8, T10 <b>Note:</b> The example of the screw is not to scale.	8	P00010027x
	Screw, pan-head, M3 x 14, T10 <b>Note:</b> The example of the screw is not to scale.	4	P00010419x

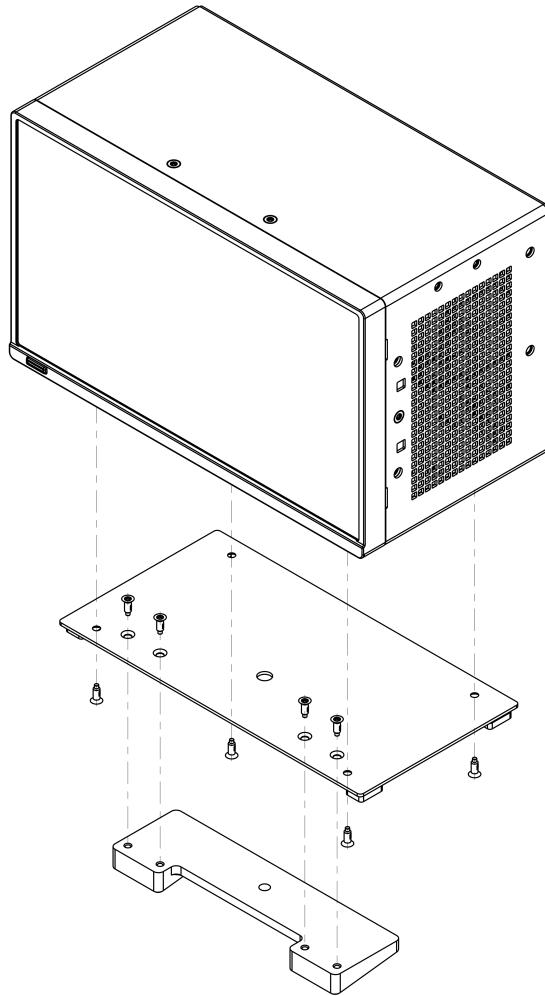
## Attach Tripod Mount

1. Place the bottom bracket on top of the tripod mount (both bottom down) and align the holes.
2. Use a T-10 screwdriver and 4 flat-head screws (M3 x 8) to connect the tripod mount to the bottom bracket.
3. Place the MPS on its top and place the bottom assembly (the tripod mount attached to the bottom bracket) upside down on the bottom of the MPS and align the holes.
4. Use a T-10 screwdriver and 4 flat-head screws (M3 x 8) to connect the bottom assembly to the bottom bracket.

---

**Note:** The tripod mount cannot be attached to the MPS without the bottom bracket; the tripod mount cannot be attached if the bottom bracket is already attached to the MPS.

---



5. Set the MPS right side up.

## Attach Bottom Bracket

---

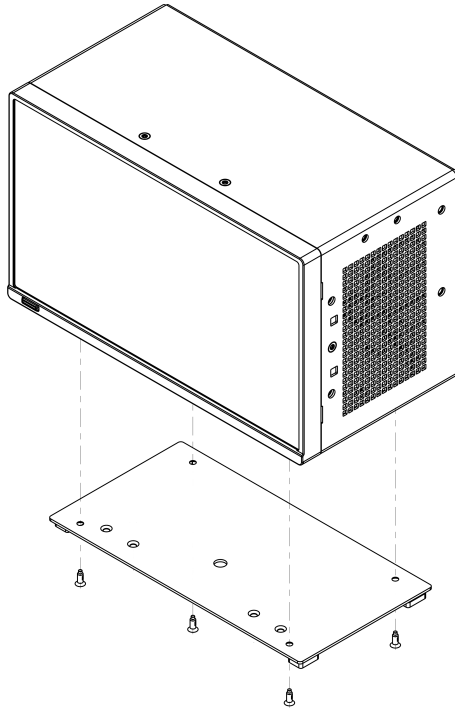
**Note:** If you attach the only the bottom bracket to the MPS and later you want to attach the tripod mount, you will first have to remove the bottom bracket from the MPS.

---

If you want to install the bottom bracket but not the tripod mounting bracket:

1. Place the MPS on its top.

2. Place the bottom bracket (upside down) on the bottom of the MPS and align the holes.
3. Use a T-10 screwdriver and 4 flat-head screws (M3 x 8) to connect the bracket to the MPS.

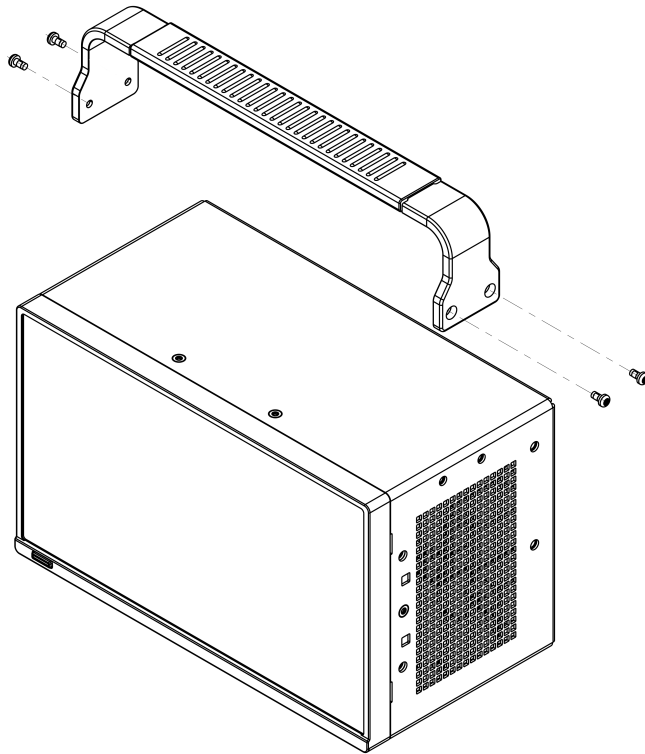


4. Set the MPS right side up.

## Attach Handle

1. Place the handle over the top of the MPS and align the holes in the handle with the holes in the sides of the MPS.

2. Use a T-10 screwdriver and 4 pan-head screws (M3 x 6) to connect the handle to the MPS.



## Attach Protective Cover



---

**CAUTION:** Do not place the MPS on the rear-panel connectors to attach the protective cover. Pressing down on the cover could damage the MPS connectors.

---

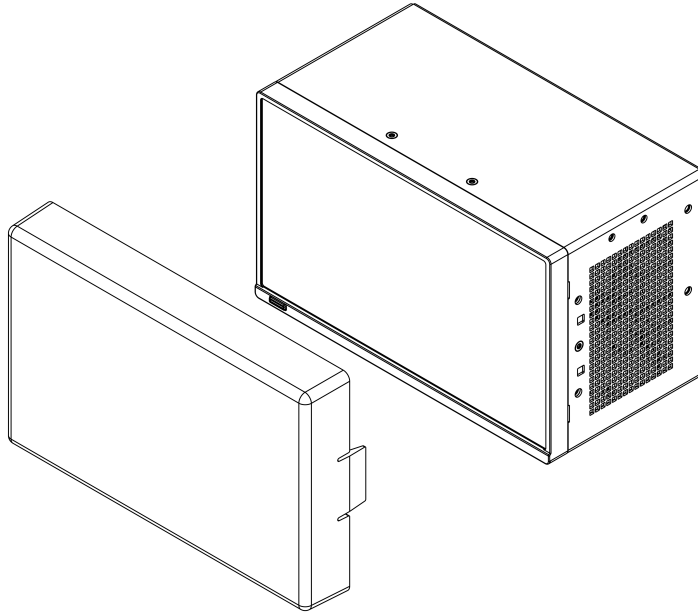
Slide the protective cover onto the monitor and press the sides of the cover onto the MPS until the latches on the side catch.

---

**Note:** The cover does not have an up side. It can be installed on the MPS with either side up.

---

To remove the cover, lift the catches at the sides and pull the cover off.



## Attach Battery Mount



**WARNING:** Risk of personal injury and property damage from falling instrument. Batteries from different manufacturers vary in shape and weight. When a battery is installed, it can make the unit too heavy in the back and cause the instrument to tip backwards.



**WARNING:** Fire can cause personal injury and property damage. To prevent risk of fire, when using a 12-volt DC source, make sure that it has a suitable current limiting device (such as a fuse).



**CAUTION:** Before using the battery Power Tap feature, refer to the product information included with the battery. If that information is not available, contact the battery manufacturer for information.

**Note:** A battery plate (not included) for a battery pack (not included) can be attached to the battery mount *before* or *after* the battery mount is connected to the MPS.

**Note:** Both a V-Mount Plate with 4-pin XLR cable and a Gold Mount Plate with 4-pin XLR cable fit the battery mount.

1. Attach the protective cover to the MPS monitor if is not already. This protects the front panel display during battery mount installation.
2. Place the MPS with the monitor down, on the protective cover.
3. Place the battery mount on the back of the MPS and align the holes on the sides.

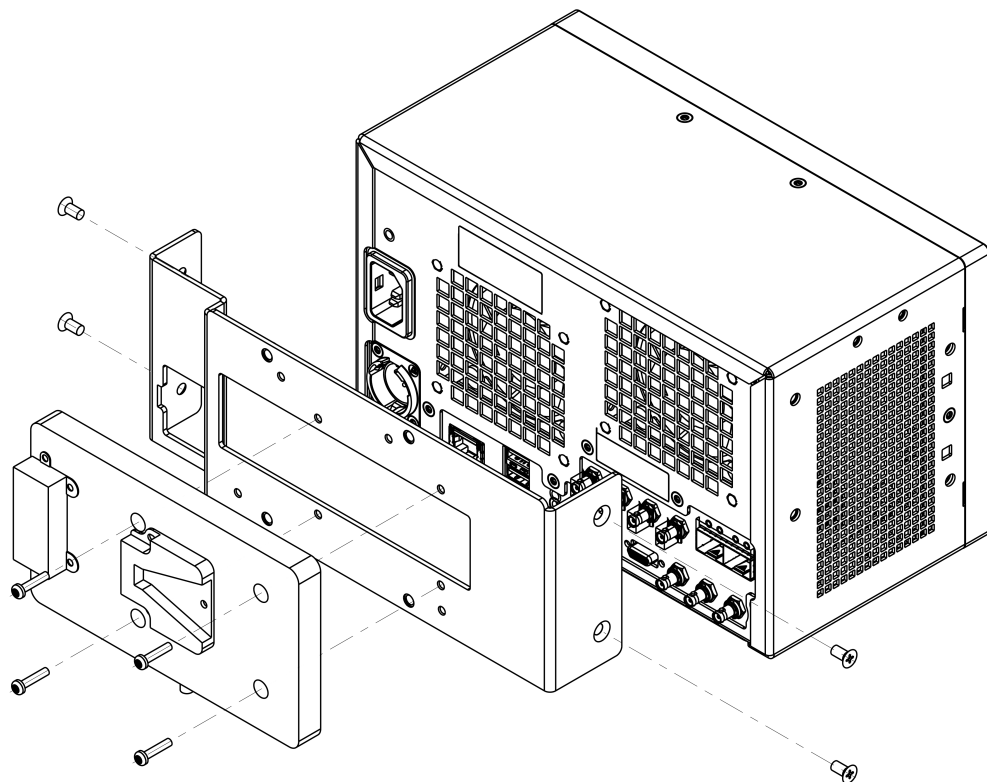
---

**Note:** There is only one way for the battery mount to fit an MPS. The gap in the battery mount must align with the socket for the DC input (shown).

---

4. Use a Phillips-head screwdriver and 4 flat-head screws (M4 X 8) to connect the battery mount to the MPS.
5. Use a T10 screwdriver and 4 pan-head screws (M3 X 14) to connect the battery plate (not included) to the battery mount.

The example shows a V-Mount plate (not included).



6. Set the MPS upright and remove the cover.

---

**Note:** This instrument is not designed to be powered by AC and DC sources at the same time. If both power sources are connected, the MPS uses the AC power source.

---

---

**Note:** If the unit is powered on with two power sources, and you remove the AC power source, the instrument might shut down and restart. This does not damage the

instrument. The instrument is not designed for a seamless transition between AC and DC power.

---

**Note:** The MPS cannot charge a battery connected to it. A separate cable (not included) must be connected to the battery or battery plate for charging.

---

**Note:** A battery with at least 98 Wh is recommended. A battery that can provide 12 amps continuous operation is required to power the product.

---