



**PRISM MPS  
SDI / IP Waveform Monitor  
Rack Accessory Installation and  
Safety Manual**

January 2022

P00010448B

## Copyrights and Trademark Notices

Copyright © 2022 Telestream, LLC and its Affiliates. All rights reserved. TELESTREAM is a registered trademark of Telestream, LLC. All other trade names referenced are the service marks, trademarks, or registered trademarks of their respective companies.

Telestream products are covered by U.S. and foreign patents, issued and pending. Information in this publication supersedes that in all previously published material. Specifications and price change privileges reserved.

TELESTREAM is a registered trademark of Telestream, LLC.

**Blender:** Images from Big Buck Bunny used without modification under the Creative Commons Attribution 3.0 license. (c) copyright 2008, Blender Foundation / <http://peach.blender.org/about/>.

**Dolby:** Dolby and the double-D symbol are registered trademarks of Dolby Laboratories.

### Warranty

Telestream on behalf of itself and its Affiliates (“Telestream”) warrants that this product will be free from defects in materials and workmanship for a period of one (1) year from the date of shipment. If any such product proves defective during this warranty period, Telestream, at its option, either will repair the defective product without charge for parts and labor, or will provide a replacement in exchange for the defective product. Parts, modules and replacement products used by Telestream for warranty work may be new or reconditioned to like new performance. All replaced parts, modules and products become the property of Telestream.

In order to obtain service under this warranty, Customer must notify Telestream of the defect before the expiration of the warranty period and make suitable arrangements for the performance of service. Customer shall be responsible for packaging and shipping the defective product to the service center designated by Telestream, with shipping charges prepaid. Telestream shall pay for the return of the product to Customer if the shipment is to a location within the country in which the Telestream service center is located. Customer shall be responsible for paying all shipping charges, duties, taxes, and any other charges for products returned to any other locations.

This warranty shall not apply to any defect, failure or damage caused by improper use or improper or inadequate maintenance and care. Telestream shall not be obligated to furnish service under this warranty a) to repair damage resulting from attempts by personnel other than Telestream representatives to install, repair or service the product; b) to repair damage resulting from improper use or connection to incompatible equipment; c) to repair any damage or malfunction caused by the use of non- Telestream supplies; or d) to service a product that has been modified or integrated with other products when the effect of such modification or integration increases the time or difficulty of servicing the product.

THIS WARRANTY IS GIVEN BY TELESTREAM WITH RESPECT TO THE PRODUCT IN LIEU OF ANY OTHER WARRANTIES, EXPRESS OR IMPLIED. TELESTREAM AND ITS VENDORS

DISCLAIM ANY IMPLIED WARRANTIES OF MERCHANTABILITY OR FITNESS FOR A PARTICULAR PURPOSE. TELESTREAM'S RESPONSIBILITY TO REPAIR OR REPLACE DEFECTIVE PRODUCTS IS THE SOLE AND EXCLUSIVE REMEDY PROVIDED TO THE CUSTOMER FOR BREACH OF THIS WARRANTY. TELESTREAM AND ITS VENDORS WILL NOT BE LIABLE FOR ANY INDIRECT, SPECIAL, INCIDENTAL, OR CONSEQUENTIAL DAMAGES IRRESPECTIVE OF WHETHER TELESTREAM OR THE VENDOR HAS ADVANCE NOTICE OF THE POSSIBILITY OF SUCH DAMAGES.

[W2 – 15AUG04]

## **TELESTREAM SOFTWARE LICENSE AGREEMENT**

THE PROGRAM, OR PROGRAMS, ENCODED OR INCORPORATED WITHIN EQUIPMENT OR ACCOMPANYING THIS AGREEMENT, IS FURNISHED SUBJECT TO THE TERMS AND CONDITIONS OF THIS AGREEMENT. RETENTION OF THE PROGRAM FOR MORE THAN THIRTY DAYS OR USE OF THE PROGRAM IN ANY MANNER WILL BE CONSIDERED ACCEPTANCE OF THE AGREEMENT TERMS. IF THESE TERMS ARE NOT ACCEPTABLE, THE UNUSED PROGRAM AND ANY ACCOMPANYING DOCUMENTATION SHOULD BE RETURNED PROMPTLY TO TELESTREAM FOR A FULL REFUND OF THE LICENSE FEE PAID. (FOR INFORMATION REGARDING THE RETURN OF PROGRAMS ENCODED OR INCORPORATED WITHIN EQUIPMENT, CONTACT THE NEAREST TELESTREAM SALES OFFICE.)

### **DEFINITIONS**

"Telestream" means Telestream, LLC, a Delaware limited liability company, and its Affiliates, or the local Telestream legal entity that is supplying the equipment.

"Program" means the Telestream software product (executable program and/or data) enclosed with this Agreement or included within the equipment with which this Agreement is packed. "Customer" means the person or organization in whose name the Program was ordered.

### **LICENSE**

Customer may:

1. Use the Program on a single machine at any one time; and
2. Copy the Program for archival or backup purposes, provided that no more than one (1) such copy is permitted to exist at any one time. Each copy of the Program made by Customer must include a reproduction of any copyright notice or restrictive rights legend appearing in or on the copy of the Program as received from Telestream.

Customer may not:

1. Use the Program on more than one machine at any one time;
2. Transfer the Program to any person or organization outside of Customer or the corporation of which Customer is a part without the prior written consent of Telestream, except in connection with the transfer of the equipment within which the programs are encoded or incorporated;

3. Export or re-export, directly or indirectly, the program, any associated documentation, or the direct product thereof, to any country to which such export or re-export is restricted by law or regulation of the United States or any foreign government having jurisdiction without the prior authorization, if required, of the Office of Export Administration, Department of Commerce, Washington, D.C. and the corresponding agency of such foreign government;
4. Modify the Program, create derivative works, or merge the Program with another program;
5. Reverse compile or disassemble the Program for any purpose, beyond the extent that such activity is expressly permitted by applicable open source licenses or applicable law notwithstanding this limitation; or
6. Copy the documentation accompanying the Program.

For Programs designed to reside on a single-machine and support one or more additional machines, either locally or remotely, without permitting the Program to be transferred to an additional machine for local execution, the additional machines shall be considered within the definition of "single machine." For programs permitting the Program to be transferred to an additional machine for local execution, a separate license shall be required for each such machine with which the Program may be used. Title to the Program and all copies thereof, but not the media on which the Program or copies may reside, shall be and remain with Telestream or others for whom Telestream has obtained a respective licensing right. Customer shall pay when due all property taxes that may now or hereafter be imposed, levied or assessed with respect to the possession or use of the Program or this license and shall file all reports required in connection with such taxes. If the Program or any related documentation is acquired by or for an agency of the U.S. Government, the Program and documentation shall be considered "commercial computer software" or "commercial computer software documentation" respectively, as those terms are used in 48 CFR §12.212, 48 CFR §227.7202, or 48 CFR §252.227-7014, and are licensed with only those rights as are granted to all other licensees as set forth in this Agreement.

THE PROGRAM MAY NOT BE USED, COPIED, MODIFIED, MERGED, OR TRANSFERRED TO ANOTHER EXCEPT AS EXPRESSLY PERMITTED BY THESE TERMS AND CONDITIONS. UPON TRANSFER OF ANY COPY, MODIFICATION, OR MERGED PORTION OF THE PROGRAM, THE LICENSE GRANTED HEREIN IS AUTOMATICALLY TERMINATED WITH RESPECT TO THE PARTY THAT TRANSFERS THE PROGRAM.

#### **TERM**

The license granted herein is effective upon acceptance by Customer, and shall remain in effect until terminated as provided herein. The license may be terminated by Customer at any time upon written notice to Telestream. The license may be terminated by Telestream or any third party from whom Telestream may have obtained a respective licensing right if Customer fails to comply with any term or condition and such failure is not remedied within thirty (30) days after notice hereof from Telestream or such third party. Upon termination by either party, Customer shall return to Telestream or destroy, the Program and all associated documentation, together with all copies in any form.



**LIMITED WARRANTY**

The Program is provided "as is" without warranty of any kind, either express or implied. Telestream does not warrant that the functions contained in the Program will meet Customer's requirements or that the operation of the Program will be uninterrupted or error-free.

TELESTREAM AND ITS VENDORS DISCLAIM ANY IMPLIED WARRANTIES OF MERCHANTABILITY OR FITNESS FOR A PARTICULAR PURPOSE. LIMITATION OF LIABILITY, IN NO EVENT SHALL TELESTREAM OR OTHERS FROM WHOM TELESTREAM HAS OBTAINED A LICENSING RIGHT BE LIABLE FOR ANY INDIRECT, SPECIAL, INCIDENTAL, OR CONSEQUENTIAL DAMAGES ARISING OUT OF OR CONNECTED WITH CUSTOMER'S POSSESSION OR USE OF THE PROGRAM, EVEN IF TELESTREAM OR SUCH OTHERS HAS ADVANCE NOTICE OF THE POSSIBILITY OF SUCH DAMAGES.

**THIRD-PARTY DISCLAIMER**

Except as expressly agreed otherwise, third parties from whom Telestream may have obtained a licensing right do not warrant the program, do not assume any liability with respect to its use, and do not undertake to furnish any support or information relating thereto.

**GENERAL**

This Agreement contains the entire agreement between the parties with respect to the use, reproduction, and transfer of the Program. Neither this Agreement nor the license granted herein is assignable or transferable by Customer without the prior written consent of Telestream. This Agreement and the license granted herein shall be governed by the laws of the state of California. All questions regarding this Agreement or the license granted herein should be directed to the nearest Telestream Sales Office.

# Table of Contents

Important Compliance and Safety Information	7
Preface	16
Product Description	16
Where to Find More Information	17
Conventions Used in This Manual	17
Telestream Contact Information	18
Assembly	19
Initial Product Inspection	19
Accessories	19
Prepare One MPS	20
Prepare Two MPS	24

# Important Compliance and Safety Information

## United States of America Compliance Notices

### Class A Interference Statement

This equipment has been tested and found to comply with the limits for a Class A digital device, pursuant to Part 15, Subpart B of the FCC Rules. These limits are designed to provide reasonable protection against harmful interference in a commercial installation. This equipment generates, uses, and can radiate radio frequency energy and, if not installed and used in accordance with the instructions, may cause harmful interference to radio communications. However, there is no guarantee that interference will not occur in a particular installation. Operation of this equipment in a residential area is likely to cause harmful interference in which case the user will be required to correct the interference at his own expense.

### FCC Caution

This device complies with Part 15 of the FCC Rules. Operation is subject to the following two conditions:

1. This device may not cause harmful interference, and
2. This device must accept any interference received, including interference that may cause undesired operation.

### Safety

UL 61010-1: 2012 R7.19: Safety Requirements for Electrical Equipment for Measurement, Control, and Laboratory Use - Part 1: General Requirements.

### Environmental

Perchlorate Materials: this product contains one or more type CR lithium batteries. According to the state of California, CR lithium batteries are classified as perchlorate materials and require special handling.

See [www.dtsc.ca.gov/hazardouswaste/perchlorate](http://www.dtsc.ca.gov/hazardouswaste/perchlorate) for additional information.

## Canada Compliance Notices

### Department of Communications Radio Interference Regulations

This digital apparatus does not exceed the Class A limits for radio-noise emissions from a digital apparatus as set out in the Radio Interference Regulations of the Canadian Department of Communications. This Class A digital apparatus complies with Canadian ICES-003.

### Reglement sur le brouillage radioelectrique du Quadstere des Communications

Cet appareil numerique respecte les limites de bruits radioelectriques visant les appareils numeriques de classe A prescrites dans le Reglement sur le brouillage radioelectrique du Quadstere des Communications du Canada. Cet appareil numerique de la Classe A est conforme a la norme NMB-003 du Canada.

### Safety

CAN/CSA-C22.2 NO. 61010-1-12 + G11 + G12 (R2017) + A1: Safety Requirements for Electrical Equipment for Measurement, Control, and Laboratory Use - Part 1: General Requirements.

### Sécurité

CAN/CSA-C22.2 NO. 61010-1-12 + G11 + G12 (R2017) + A1: Exigences de sécurité pour l'électricité Matériel de mesure, de contrôle et d'utilisation en laboratoire - Partie 1: Généralités Exigences.

## European Union and European Free Trade Association (EFTA) Compliance Notices

This equipment may be operated in the countries that comprise the member countries of the European Union and the European Free Trade Association. These countries, listed in the following paragraph, are referred to as The European Community throughout this document:

AUSTRIA, BELGIUM, BULGARIA, CYPRUS, CZECH REPUBLIC, DENMARK, ESTONIA, FINLAND, FRANCE, GERMANY, GREECE, HUNGARY, IRELAND, ITALY, LATVIA, LITHUANIA, LUXEMBOURG, MALTA, NETHERLANDS, POLAND, PORTUGAL, ROMANIA, SLOVAKIA, SLOVENIA, SPAIN, SWEDEN, UNITED KINGDOM, ICELAND, LICHTENSTEIN, NORWAY, SWITZERLAND

### Declaration of Conformity

Marking by the "CE" symbol indicates compliance with the Essential Requirements of the EMC Directive of the European Union 2014/30/EU

This equipment meets the following conformance standards:

### Safety

EN 61010-1: 2010 + A1: Safety Requirements for Electrical Equipment for Measurement, Control, and Laboratory Use - Part 1: General Requirements Low Voltage Directive 2014/35/EU

### Emissions

EN 55032: 2015 + A11: 2020, CISPR 32: 2015, EN 61000-3-2: 2014, EN 61000-3-3: 2013

### Immunity

EN 55035: 2017, EN 61000-4-2: 2009,

EN 61000-4-3: 2006 + A1: 2008 + A2: 2010, EN 61000-4-4: 2012,

EN 61000-4-5: 2014 + A1: 2017, EN 61000-4-6: 2014, EN 61000-4-8: 2010,

EN 61000-4-11: 2020

Environments: E2

### Warnings



Warning! This is a Class A product. In a domestic environment, this product may cause radio interference, in which case, the user may be required to take appropriate measures.



Achtung! Dieses ist ein Gerat der Funkstorgrenzwertklasse A. In Wohnbereichen können bei Betrieb dieses Gerates Rundfunkstörungen auftreten, in welchen Fallen der Benutzer für entsprechende Gegenmaßnahmen verantwortlich ist.



Attention! Ceci est un produit de Classe A. Dans un environnement domestique, ce produit risque de créer des interférences radioélectriques, il appartiendra alors à l'utilisateur de prendre les mesures spécifiques appropriées.

Notes:

1. For Compliance with the EMC standards listed here, high quality shielded interface cables should be used.
2. Emissions which exceed the levels required by this standard may occur when this equipment is connected to a test object.

### Environmental Compliance

This section provides information about the environmental impact of the product.

#### *Product end-of-life handling*

Observe the following guidelines when recycling an instrument or component:

#### *Equipment recycling*



Production of this equipment required the extraction and use of natural resources. The equipment may contain substances that could be harmful to the environment or human health if improperly handled at the product's end of life. To avoid release of such substances into the environment and to reduce the use of natural resources, we

encourage you to recycle this product in an appropriate system that will ensure that most of the materials are reused or recycled appropriately.

This symbol on the product or its packaging indicates that this product complies with the applicable European Union requirements according to Directives 2012/19/EU and 2006/66/EC on waste electrical and electronic - equipment (WEEE) and batteries.

It also indicates that this product must not be disposed of with your other household waste. Instead, it is your responsibility to dispose of your waste equipment by handing it over to a designated collection point for the recycling of waste electrical and electronic equipment. The separate collection and recycling of your waste equipment at the time of disposal will help conserve natural resources and ensure that it is recycled in a manner that protects human health and the environment. For more information about where you can drop off your waste for recycling, please contact your local authority, or where you purchased your product.

*Battery Recycling*

This product may contain a rechargeable battery, which must be recycled or disposed of properly. Please properly dispose of or recycle the battery according to local government regulations.

*Transporting Batteries or products with Batteries in them*

The capacity of the lithium ion secondary battery shipped with this product is under 100 Wh. The lithium content of the installed primary battery is under 1 g. Each battery meets the applicable requirements of UN Manual of Tests and Criteria Part III Section 38.3. Battery quantity is under the limit for shipment according to Section II of the relevant Packing Instructions from the IATA Dangerous Goods Regulations. Consult your air carrier for applicability and determination of any special lithium battery transportation requirements.

*Restriction of Hazardous Substances*


This product is classified as an industrial monitoring and control instrument, and is not required to comply with the substance restrictions of the RoHS 3 Directives 2011 /65/ EU and EU 2015/863 until July 22, 2021. This product does, however, comply with the RoHS 2 Directive 2011/65/EU.

## Korea Compliance Statement

사 용 자 안 내 문


이 기기는 업무용 환경에서 사용할 목적으로 적합성평가를 받은 기기로서 가정용 환경에서 사용하는 경우 전파간섭의 우려가 있습니다.

## Taiwan Compliance Statement

 使用者：  
這是甲類的資訊產品，在居住的環境中使用時，可能會造成射頻干擾，在這種情況下，使用者會被要求採取某些適當的對策。

This is a Class A product based on the standard of the Bureau of Standards, Metrology and Inspection (BSMI) CNS 13438, Class A. In a domestic environment this product may cause radio interference in which case the user may be required to take adequate measures.

## Japan Compliance Statement

 の装置は、クラスA情報技術装置です。この装置を家庭環境で使用すると電波妨害を引き起こすことがあります。この場合には使用者が適切な対策を講ずるよう要求されることがあります。 VCCI-A

This is a Class A product based on the standard of the VCCI Council (VCCI 32: 2016). If this equipment is used in a domestic environment, radio interference may occur, in which case, the user may be required to take corrective actions.

## Important Safety Information

This manual contains information and warnings that must be followed by the user for safe operation and to keep the product in a safe condition. To safely perform service on this product, see the Service safety summary that follows the General safety summary.

### General Safety Summary

Use the product only as specified. Review the following safety precautions to avoid injury and prevent damage to this product or any products connected to it. Carefully read all instructions. Retain these instructions for future reference.

### Comply with local and national safety codes.

For correct and safe operation of the product, it is essential that you follow generally accepted safety procedures in addition to the safety precautions specified in this manual.

### The product is designed to be used by trained personnel only.

Only qualified personnel who are aware of the hazards involved should remove the cover for repair, maintenance, or adjustment. Before use, always check the product with a known source to be sure it is operating correctly.

While using this product, you may need to access other parts of a larger system. Read the safety sections of the other component manuals for warnings and cautions related to operating the system.

When incorporating this equipment into a system, the safety of that system is the responsibility of the assembler of the system.

### **To Avoid Fire or Personal Injury**

*Use proper power cord:* Use only the power cord specified for this product and certified for the country of use. Do not use the provided power cord for other products.

*Ground the product:* This product is grounded through the grounding conductor of the power cord. To avoid electric shock, the grounding conductor must be connected to earth ground. Before making connections to the input or output terminals of the product, ensure that the product is properly grounded. Do not disable the power cord grounding connection.

*Power disconnect:* The power cord disconnects the product from the power source. See instructions for the location. Do not position the equipment so that it is difficult to operate the power cord; it must remain accessible to the user at all times to allow for quick disconnection if needed.

*Observe all terminal ratings:* To avoid fire or shock hazard, observe all rating and markings on the product. Consult the product manual for further ratings information before making connections to the product. Do not apply a potential to any terminal, including the common terminal, that exceeds the maximum rating of that terminal.

*Do not operate without covers:* Do not operate this product with covers or panels removed, or with the case open. Hazardous voltage exposure is possible.

*Avoid exposed circuitry:* Do not touch exposed connections and components when power is present.

*Do not operate with suspected failures:* If you suspect that there is damage to this product, have it inspected by qualified service personnel.

*Disable the product if it is damaged.* Do not use the product if it is damaged or operates incorrectly. If in doubt about safety of the product, turn it off and disconnect the power cord. Clearly mark the product to prevent its further operation.

Before use, inspect voltage probes, test leads, and accessories for mechanical damage and replace when damaged. Do not use probes or test leads if they are damaged, if there is exposed metal, or if a wear indicator shows.

Examine the exterior of the product before you use it. Look for cracks or missing pieces.

### **Use only specified replacement parts.**

*Do not operate in wet/damp conditions:* Be aware that condensation may occur if a unit is moved from a cold to a warm environment.

Do not operate in an explosive atmosphere.



Keep product surfaces clean and dry: Remove the input signals before you clean the product.

Provide proper ventilation: Refer to the manual's installation instructions for details on installing the product so it has proper ventilation.

Slots and openings are provided for ventilation and should never be covered or otherwise obstructed. Do not push objects into any of the openings.

Provide a safe working environment: Always place the product in a location convenient for viewing the display and indicators.

Be sure your work area meets applicable ergonomic standards. Consult with an ergonomics professional to avoid stress injuries.

Use only the Telestream rackmount hardware specified for this product.

### Service Safety Summary

The Service safety summary section contains additional information required to safely perform service on the product. Only qualified personnel should perform service procedures. Read this Service safety summary and the General safety summary before performing any service procedures.

*To avoid electric shock:* Do not touch exposed connections.

*Do not service alone:* Do not perform internal service or adjustments of this product unless another person capable of rendering first aid and resuscitation is present.

*Disconnect power:* To avoid electric shock, switch off the product power and disconnect the power cord from the mains power before removing any covers or panels, or opening the case for servicing.

*Use care when servicing with power on:* Dangerous voltages or currents may exist in this product. Disconnect power, remove battery (if applicable), and disconnect test leads before removing protective panels, soldering, or replacing components.

*Verify safety after repair:* Always recheck ground continuity and mains dielectric strength after performing a repair.

### Terms in the Manual

These terms may appear in this manual:



**WARNING: Warning statements identify conditions or practices that could result in injury or loss of life.**

---



**CAUTION: Caution statements identify conditions or practices that could result in damage to this product or other property.**

---

### Terms on the Product

These terms may appear on the product:

*DANGER* indicates an injury hazard immediately accessible as you read the marking.

*WARNING* indicates an injury hazard not immediately accessible as you read the marking.

*CAUTION* indicates a hazard to property including the product.

### Symbols on the Product

When this symbol is marked on the product, be sure to consult the manual to find out the nature of the potential hazards and any actions which have to be taken to avoid them. (This symbol may also be used to refer the user to ratings in the manual.)

The following symbol(s) may appear on the product:



## General Safety Product Specific Statements

Use the product only as specified. Review the following safety precautions to avoid injury and prevent damage to this product or any products connected to it.

Carefully read all instructions. Retain these instructions for future reference.

Comply with local and national safety codes.

For correct and safe operation of the product, it is essential that you follow generally accepted safety procedures in addition to the safety precautions specified in this manual. The product is designed to be used by trained personnel only.

Only qualified personnel who are aware of the hazards involved should remove the cover for repair, maintenance, or adjustment.

Before use, always check the product with a known source to be sure it is operating correctly.

This product is not intended for detection of hazardous voltages.

Use personal protective equipment to prevent shock and arc blast injury where hazardous live conductors are exposed.

When incorporating this equipment into a system, the safety of that system is the responsibility of the assembler of the system.



**WARNING: To prevent injury or damage to the instrument, do not carry the PRISM monitor by the handles on the front of the instrument. These handles are for pulling the instrument out of a rack installation and are not intended to carry the instrument.**

ADVERTENCIA: Para evitar lesión o daños al equipo, no sujete el monitor PRISM por las asas del frente del equipo. Estas asas son para sacar el equipo de una instalación de rack y no están diseñadas para sujetarlo.

WARNUNG: Um Verletzungen oder Schäden am Gerät zu vermeiden, sollten Sie den PRISM Monitor nicht an den Griffen an der Vorderseite des Geräts tragen. Diese Griffe dienen zum Herausziehen des Geräts aus einer Rack-Installation und sind nicht zum Tragen des Geräts gedacht.

ATTENTION: Afin d'éviter tout dommage ou casse de matériel ne pas porter le PRISM avec les anses de devant. Celle-ci servent à retirer le matériel du rack et ne servent pas à le porter.

AVVERTIMENTO: Per evitare lesioni o danni allo strumento, non utilizzate le maniglie frontali per trasportare l'apparato. Queste maniglie servono esclusivamente per estrarre lo strumento dal rack e non sono idonee al trasporto dello strumento.

AVISO: Para evitar ferimentos ou danos ao instrumento, não transporte o monitor PRISM pela pega na parte frontal do instrumento. Estas pegas são para puxar o instrumento para fora de uma instalação em rack e não se destinam ao transporte do instrumento.



**CAUTION: Ambient air temperature near the equipment is not necessarily inlet air temperature. Damage to the instrument can occur if this equipment is powered on without sufficient access to cool air.**

PRECAUCIÓN: La temperatura ambiente cercana al equipo no es necesariamente la temperatura de entrada de aire. Hay peligro de daños al equipo si se opera sin el suficiente acceso a aire fresco.

VORSICHT: Die Umgebungstemperatur in der Nähe des Geräts entspricht nicht unbedingt der Ansauglufttemperatur. Das Gerät kann beschädigt werden, wenn es ohne ausreichenden Zugang zu kühler Luft eingeschaltet wird.

AVERTIR: La température de l'air ambiant n'est nécessairement celle à l'intérieure de l'appareil. Pour assurer un bon fonctionnement de ce dernier, veuillez vous assurer d'une bonne ventilation du matériel. Sans cela des dégâts pourraient apparaître.

ATTENZIONE: La temperatura dell'aria ambiente vicino all'apparecchiatura non è necessariamente la temperatura dell'aria in ingresso. Possono verificarsi danni allo strumento se questa apparecchiatura viene accesa senza un accesso sufficiente all'aria fredda.

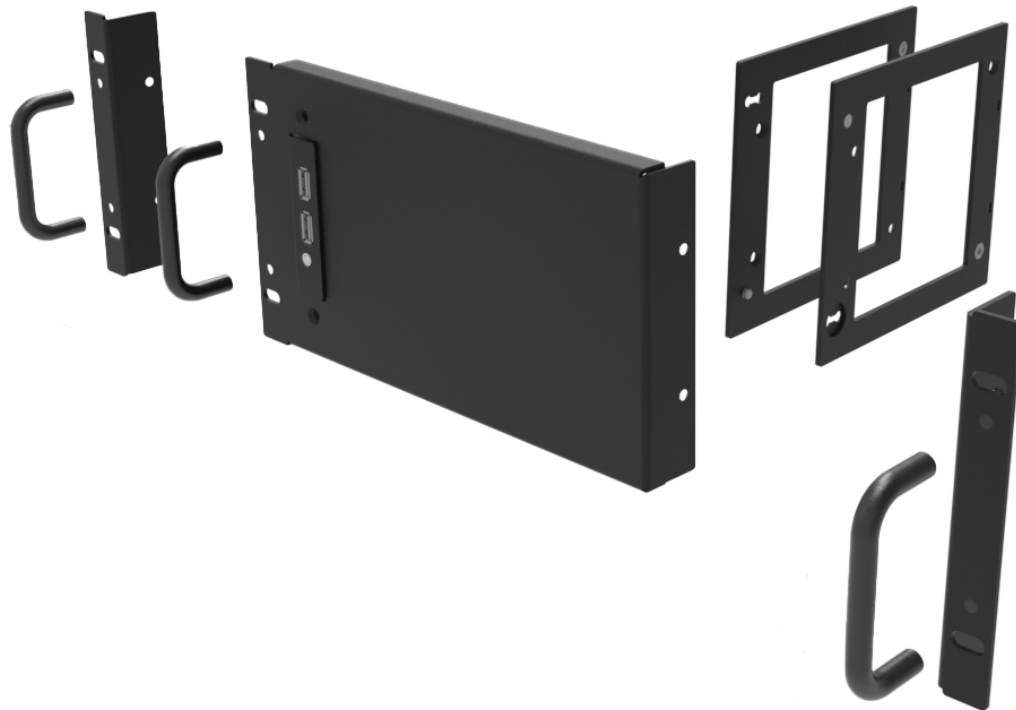
CUIDADO: A temperatura do ar ambiente próximo ao equipamento não é necessariamente a temperatura do ar de entrada. Podem ocorrer danos ao instrumento se este equipamento for ligado sem acesso suficiente a ar frio.

# Preface

This section contains information related to the installation of the MPS rack accessories. It also has a complete list of PRISM documentation (detailed operating information is available in the user manual) and contact information for Telestream support.

## Product Description

The PRISM MPS rack accessories (option MPS-RACK) provides field-installable options to secure one MPS or two MPS in a rack. Screws to connect all the components are included.



### Included Equipment

- Short brackets to attach the MPS to the rack
- Long bracket to cover a space in a rack next to a single MPS and attach the MPS to the other side of the rack
- Middle brackets to connect two MPS side-by-side

- Handles to more easily remove the MPS from a rack

## Where to Find More Information

The full User Manual, Release Notes, and other information about your product are available for download at [telestream.net/video/resources.htm](http://telestream.net/video/resources.htm). The Product Documentation table lists all the relevant documentation for the PRISM SDI/IP Waveform Monitor.

### Product Documentation

Document	Manual type	Part number	Description
MPS-MPD User Manual	Primary User	D00013488x	Provides detailed operating information.
Release Notes	Release Notes	D00010030x	Describes the new features, improvements, and limitations of the instrument firmware.
MPS Installation and Safety Instructions	User	P00010445x	Provides basic safety and operating information (included with instrument) for a PRISM MPS.
MPS Rack Accessory Installation Manual	User	P00010448x	Describes how to connect rack equipment to a PRISM MPS instrument and install it in a rack. Provides basic safety and operating information (included with option MPS-RACK kit).
MPS Portable Accessory Installation Manual	User	P00010447x	Describes how to connect portable accessory equipment to a PRISM MPS instrument. Provides basic safety and operating information (included with option MPS-PTBL kit).

## Conventions Used in This Manual

The PRISM SDI / IP Waveform Monitor is also referred to as the "PRISM" throughout this manual.

## Telestream Contact Information

To obtain product information, technical support, or provide comments on this guide, contact us using our web site, email, or phone number as listed below.

Resource	Contact Information
Telestream Video Support	Web Site: <a href="http://www.telestream.net/telestream-support">http://www.telestream.net/telestream-support</a> Email: <a href="mailto:videosupport@telestream.net">videosupport@telestream.net</a> US and Canada Toll-free: 1-844-219-5329 Outside of US and Canada: 1-503-967-9833
Telestream	Web Site: <a href="http://www.telestream.net">www.telestream.net</a> Sales and Marketing Email: <a href="mailto:info@telestream.net">info@telestream.net</a> Telestream 848 Gold Flat Road, Suite 1 Nevada City, CA. USA 95959
International Distributor Support	Web Site: <a href="http://www.telestream.net">www.telestream.net</a> See the Telestream Web site for your regional authorized Telestream distributor.
Telestream Technical Writers	Email: <a href="mailto:techwriter@telestream.net">techwriter@telestream.net</a> If you have comments or suggestions about improving this document, or other Telestream documents—or if you've discovered an error or omission—please email us.

# Assembly

This section describes how to install the rack accessory equipment to the PRISM MPS and install the MPS in a rack.

## Initial Product Inspection

1. Inspect the shipping carton for external damage, which may indicate damage to the instrument.
2. Remove the equipment from the shipping carton and check that the instrument has not been damaged in transit. Prior to shipment the instrument is thoroughly inspected for mechanical defects. The exterior should not have any scratches or impact marks.

---


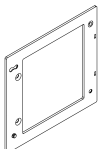
**Note:** Save the shipping carton and packaging materials for instrument repackaging in case shipment becomes necessary.

---

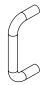
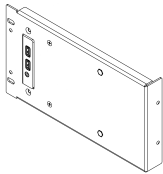




3. Verify the shipping carton contains the accessories you ordered and all necessary screws.

## Accessories

### PRISM MPS Rack Accessory Kit

Accessory image	Description	Quantity	Part number
	MPS Rack Accessory Installation and Safety Manual	1	P00010448x
	Short rack-ear bracket	2	P00010134x
	Middle bracket	2	P00010255x

PRISM MPS Rack Accessory Kit

Accessory image	Description	Quantity	Part number
	Handle	3	P00010331x
	Long rack-ear bracket	1	P00010135x
	Filler panel (shipped attached to the long rack-ear bracket)	1	P00010332x
	USB housing subassembly (shipped attached to the long rack-ear bracket)	1	P00010253x
	Screw, truss-head, 10-32 X 0.625, Phillips  <b>Note:</b> The example of the screw is not to scale.	4	P00010226x
	Screw, flat-head, M4 X 8, Phillips  <b>Note:</b> The example of the screw is not to scale.	14	P00010225x

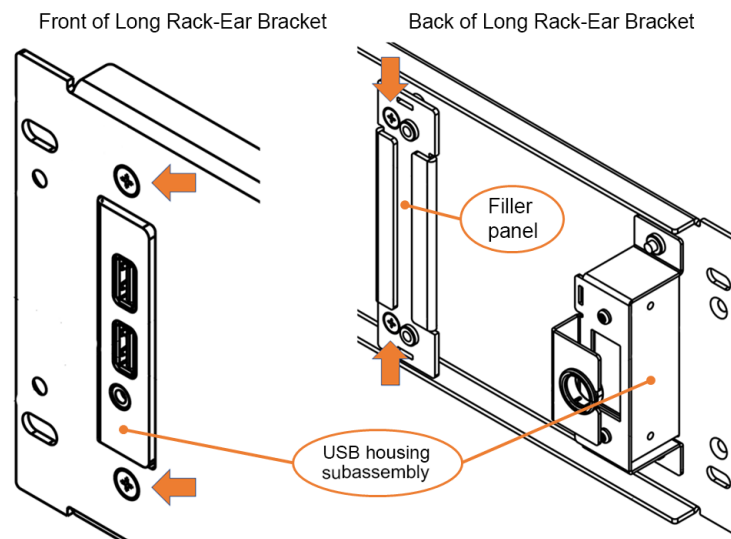
## Prepare One MPS

If only one MPS unit is going in a rack, this section explains how to connect the hardware to the MPS.



## Attach Brackets

1. If you need the USB sockets and audio output in the front of the long rack-ear bracket, go to step 2. If the USB sockets and audio output are not needed, remove the USB housing subassembly from the bracket:
  - a. Use a Phillips-head screwdriver and disconnect the USB housing subassembly from the long rack-ear bracket. Remove the subassembly from the bracket.
  - b. Use a Phillips-head screwdriver and remove the filler panel from the back of the long rack-ear bracket.
  - c. Use the screws that held the filler panel to the back of the long rack-ear bracket; attach the filler panel to the gap in the long rack-ear bracket left by the USB housing subassembly.
  - d. Store the USB housing subassembly in case it is needed.



2. Choose which side of the rack the MPS will be on, set the long rack-ear bracket on the opposite side of the MPS, and align the holes.

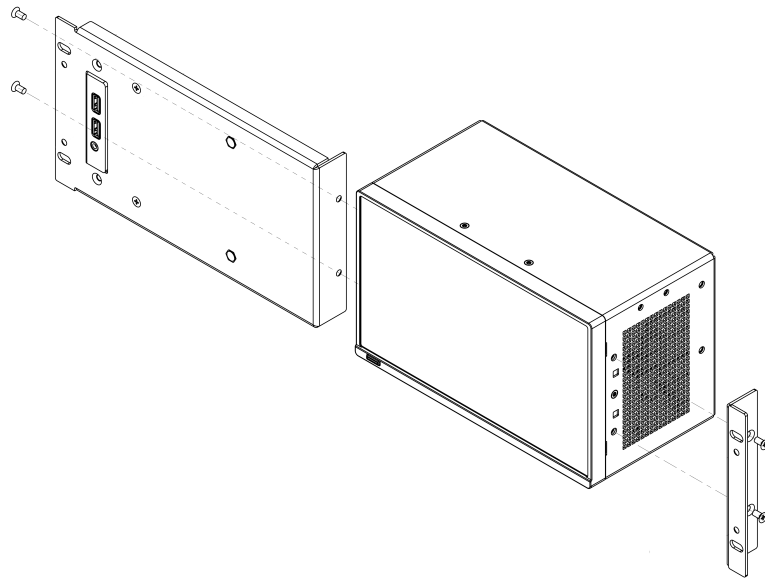
---

**Note:** Any bracket can go on either side of an MPS.

---

3. Use a Phillips-head screwdriver and 2 flat-head screws (M4 x 8) to connect the long rack-ear bracket to the side of the MPS.
4. Use a Phillips-head screwdriver and 2 flat-head screws (M4 x 8) to connect a short rack-ear bracket to the opposite side of the MPS from the filler panel.

If you removed the USB housing subassembly, go to [Attach Handles and Install in Rack](#). If the USB housing subassembly is still in the long-ear bracket, continue to step 5.

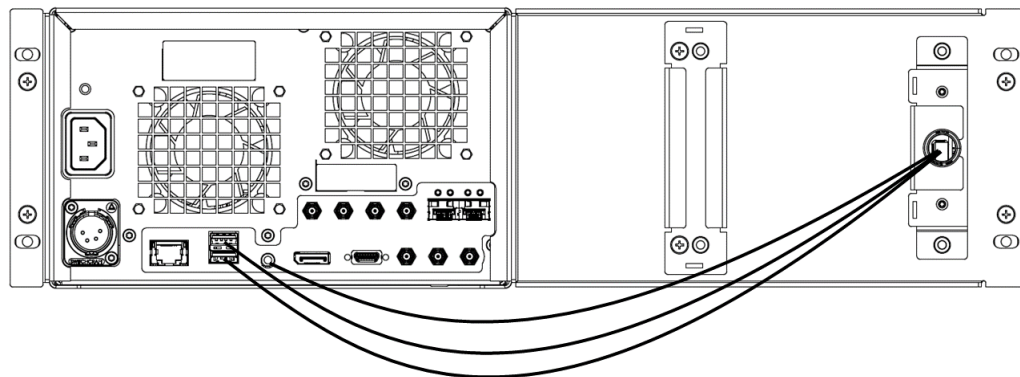


5. Connect the USB and audio plugs to the sockets in the back of the MPS.

---

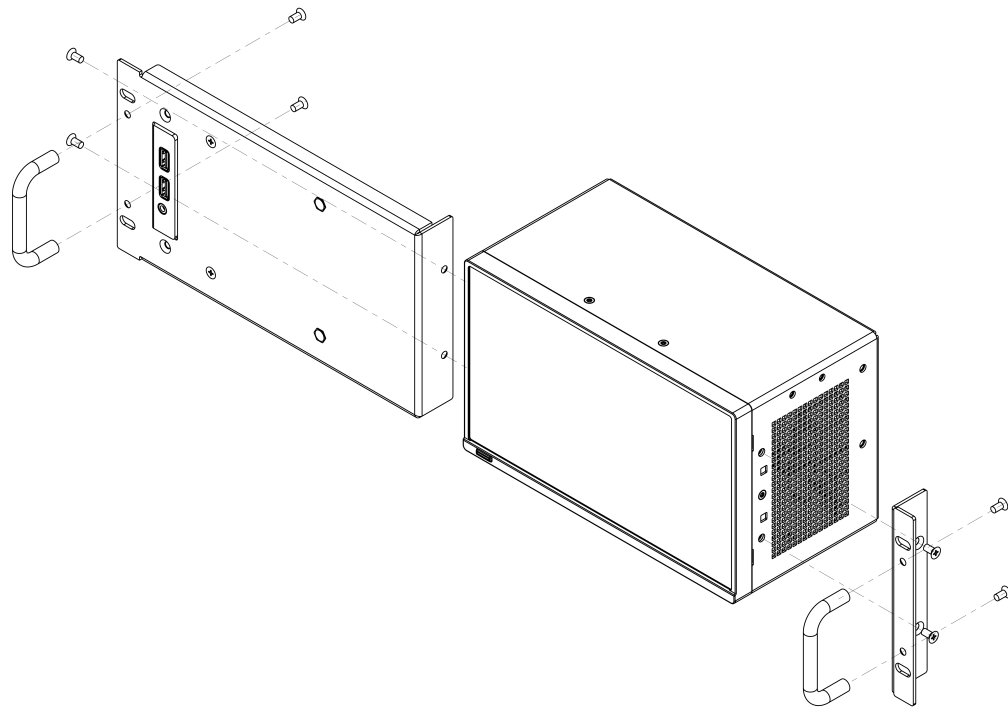
**Note:** The two USB plugs can go into either USB socket in the MPS.

---



## Attach Handles and Install in Rack

1. Use a Phillips-head screwdriver and 4 flat-head screws (M4 X 8) to connect the 2 rack handles to the brackets.



**WARNING:** To prevent injury or damage to the instrument, do not carry the PRISM monitor by the handles on the front of the instrument. These handles are for pulling the instrument out of a rack installation and are not intended to carry the instrument.

---

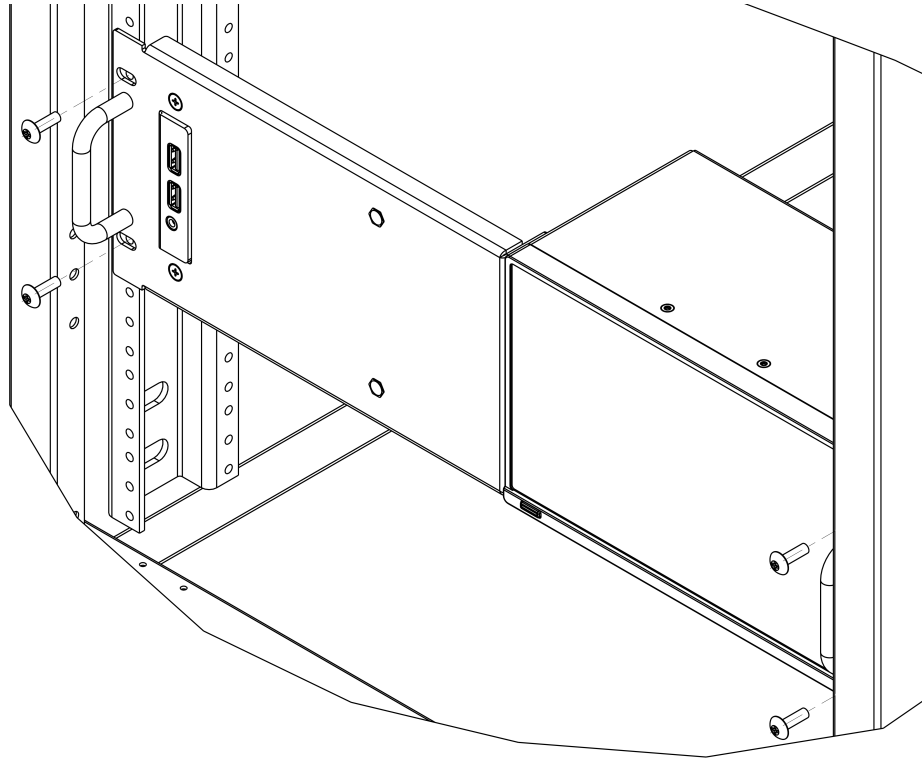
2. Insert the MPS assembly into the rack.



**CAUTION:** Ambient air temperature near the equipment is not necessarily inlet air temperature. Damage to the instrument can occur if this equipment is powered on without sufficient access to cool air.

---

3. Use a Phillips-head screwdriver and 4 truss-head screws (10-32 X 0.625) to connect the brackets of the MPS assembly to the rack.



## Prepare Two MPS

If two MPS units will be installed side-by-side in a rack, this section explains how to connect the hardware to the MPS and the MPS to each other.

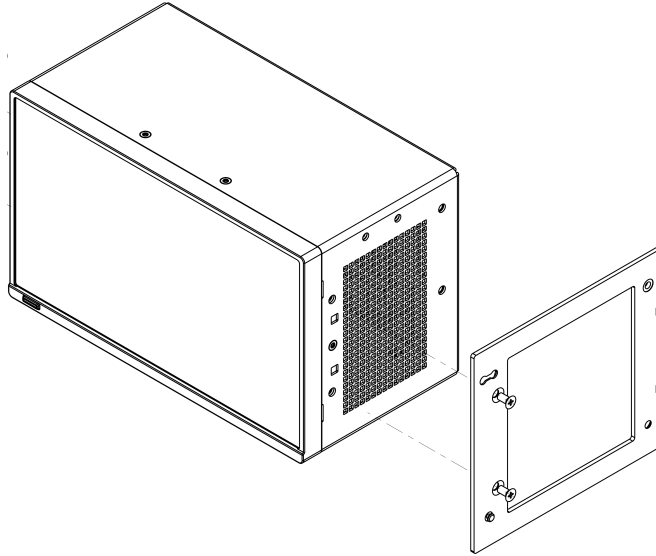
### Attach Middle Brackets

1. Choose which side of the rack each MPS will be on.
2. On the first MPS, use a Phillips-head screwdriver and 2 flat-head screws (M4 X 8) to connect the middle bracket to the side of the MPS.

---

**Note:** Any middle bracket can go on either side of an MPS.

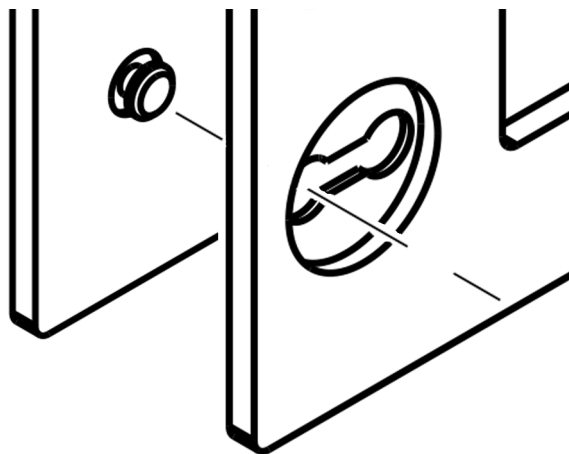
---



3. On the *second* MPS, use a Phillips-head screwdriver and 2 flat-head screws (M4 X 8) to connect the middle bracket to the *opposite* side of the MPS from the first.

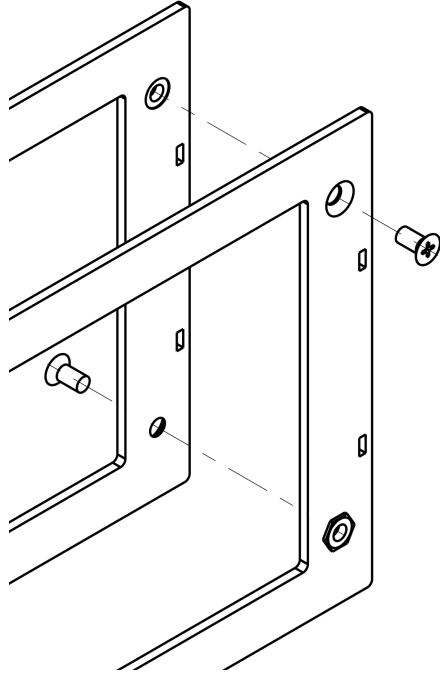
### Connect MPS

1. Set the two MPS next to each other with the middle brackets facing each other.
2. Move the two MPS so the pins in the middle brackets can fit in the opposing bracket holes and push the MPS together so the pins are through the bracket holes. In the example only the brackets are shown.



3. Adjust the two MPS so the holes at the back of the middle brackets are aligned.

4. Use a Phillips-head screwdriver and 2 flat-head screws (M4 X 8) to connect the middle brackets, one screw on each side. In the example only the brackets are shown and shown apart for clarity.



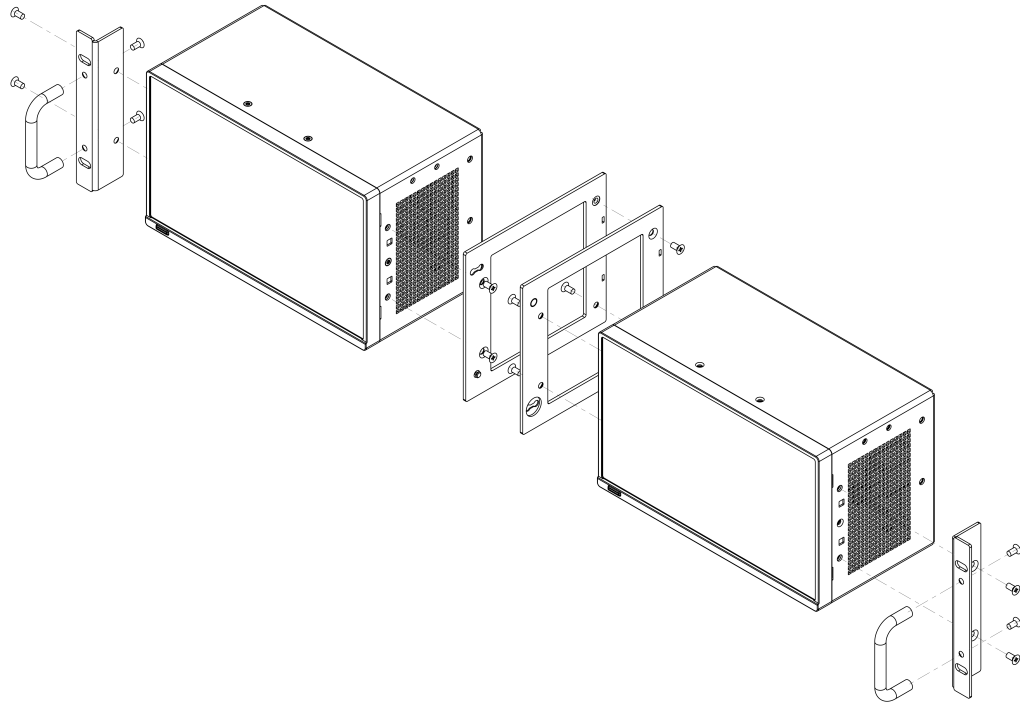
### **Attach Rack-Ear Brackets and Handles, and Install in Rack**

1. Use a Phillips-head screwdriver and 4 flat-head screws (M4 X 8) to connect the 2 rack-ear brackets to the MPS, one bracket on each end.
2. Use a Phillips-head screwdriver and 4 flat-head screws (M4 X 8) to connect the 2 rack handles to the rack-ear brackets.

---

**⚠ WARNING: To prevent injury or damage to the instrument, do not carry the PRISM monitor by the handles on the front of the instrument. These handles are for pulling the instrument out of a rack installation and are not intended to be used for carrying the instrument.**

---



3. Insert the MPS assembly into the rack and align the rack-ear brackets at the correct level.



**CAUTION: Ambient air temperature near the equipment is not necessarily inlet air temperature. Damage to the instrument can occur if this equipment is powered on without sufficient access to cool air.**

4. Use a Phillips-head screwdriver and 4 truss-head screws (10-32 X 0.625) to connect the brackets of the MPS assembly to the rack.

**28 | Assembly**  
Prepare Two MPS

